

Icaro 2000	Alto – Owner Manual	Page 1/ 48
03/03/2022		Alto 2022-1-En



Alto

Owner Manual



Icaro 2000	Alto – Owner Manual	Page 2/ 48
03/03/2022		Alto 2022-1-En

Congratulations on buying an Icaro 2000 hang glider! We are certain that you have made the right choice!

The Alto marks the highest point of development of an intermediate hang glider: relatively low weight, speed and simplicity of assembly, good performance, predictable and reliable behaviour in all conditions. The Alto will take you smoothly into the air, offering you an unparalleled degree of flying pleasure.

Icaro 2000 srl is a company that leads the world in the field of hang gliding construction. The results attained in competition and sales put it in first place amongst hang glider manufacturers.

Hang gliders by Icaro 2000 are independently designed and built, using exclusively premium quality raw materials, in the factory premises at Sangiano, in northern Italy.

The success of our gliders stems from the skill and commitment of Manfred Ruhmer, who holds eight World Championship titles (three Cross Country titles, one Speed Gliding title and four Class II titles), it stems from the skill of Christian Ciech (aeronautic engineer, 2 World Championship titles in class 5), as well as from our three decades of experience in hang glider manufacture.

All our hang gliders have German certification, which is acknowledged as being the most stringent in the world as regards the safety parameters demanded from the glider.

You can rest assured that spare parts and service will always be available, no matter where you fly, by means of our worldwide network of distributors. This includes spares for all models, both those in production and earlier designs.

Thank you for choosing our hang gliders and we wish you great flights!

For whatever information or service, please contact the nearest authorized dealer, or the factory direct:

Icaro 2000 srl

via Verdi, 19

I-21038-Sangiano

ITALY

Phone: +39 (0332) 648335

Fax: +39 (0332) 648079

e-mail: staff@icaro2000.com

web: www.icaro2000.com

Table of Contents

1. INTRODUCTION	4
1.1 KEEP RISKS TO A MINIMUM	4
1.2 PRELIMINARIES	4
1.3 ASSEMBLY CHECK AND FIRST FLIGHT	4
1.4 FIRST MOUNTAIN LAUNCH	4
2. FUNDAMENTAL RULES	4
3. CERTIFICATION AND GENERAL RESTRICTIONS	5
3.1 CERTIFICATION	5
3.2 WIND SPEED	5
3.3 TURBULENCE	5
3.4 AEROBATIC FLYING	5
4. TRANSPORT	6
4.1 BY CAR	6
4.2 BY GONDOLA LIFT OR CABLE CAR	6
4.3 BY PLANE	6
4.4 SHORT PACKING	6
5. ASSEMBLY	7
5.1 ON THE A-FRAME	7
5.2 FLAT ASSEMBLY	10
6. CHECK LIST11	
6.1 ASSEMBLY CHECK	11
6.2 OTHER EQUIPMENT CHECK	12
6.3 PRE-FLIGHT CHECK	12
7. DISASSEMBLY	13
8. HINTS AND TIPS	17
8.1 VARIABLE GEOMETRY	17
8.2 TAKE OFF	17
8.3 FLIGHT	18
8.4 LANDING	18
9. TRIM 18	
9.1 TURN TENDENCY	18
9.2 TRIM SPEED	20
10. REFLEX AND DIHEDRAL	21
11. REPAIR AND PERIODIC INSPECTIONS	22
12. TECHNICAL DATA	24
13. MAINTENANCE LOG	25
14. OWNER'S LOG	26
15. PARTS LIST	27
16. TRIPTYCH ALTO S	28
17. ASSEMBLY DRAWINGS ALTO S	29
18. TRIPTYCH ALTO M	35
19. ASSEMBLY DRAWINGS ALTO M	36
20. TRIPTYCH ALTO L	42
21. ASSEMBLY DRAWINGS ALTO L	43

Icaro 2000	Alto – Owner Manual	Page # 4/48
03/03/2022		Alto 2022-1-En

1. Introduction

During the last thirty years, hang gliders, has become much safer. Accidents have diminished, due to the increased professionalism of flying schools, and increasingly stringent certification procedures. In Switzerland, for example, the insurance risk factor for hang gliding is the same as for winter sports. However, hang gliding is an active sport, in which there is a certain degree of risk. Your safety can be greatly enhanced by following a few simple rules:

1.1 Keep Risks to a Minimum

- Attend a professional school.
- Fly a glider suited to your skills. In order to fly the Alto you should have an intermediate flight experience and a minimum of 40 flights logged on a beginner hang glider.
- Fly only when weather conditions are suitable.
- Be aware of adverse weather conditions; caution is a mark of intelligence, not of cowardice.
- Keep in continuous contact with your sport. Try to avoid long intervals between one flight and the next. This will also help you to progressively increase your flying skills.
- A new risk may arise when you fly a new type of glider for the first time. The reactions of your new glider may well differ from those of the glider you were used to. In order to minimise this risk, we recommend a gradual process of familiarisation with your new glider. Make your first flight in calm conditions.

1.2 Preliminaries

- Study your manual before your first flight. Practice assembly and disassembly as explained in the manual.
- Always follow the same assembly and pre-flight check routine.
- Hook-in your harness as final step of glider assembly. Missed hook-in of the harness is still one of the major cause of fatal accident in hang-glider. If you hook-in the harness before to wear it, you will avoid this forgetfulness. All others procedures/systems are liable of mistakes.
- If you have to step away from the glider after you got “ready to fly”, take off the harness. **Do not unhook yourself!**
- **Do not allow yourself to be distracted during pre-flight check!**
- **Do not wear your harness if it is not hooked to the wing!**

1.3 Assembly Check and First Flight

- Every hang glider manufactured by ICARO 2000 is test flown at least once before delivery to the customer. However, if you wish, you can request another test flight from your dealer.
- Your dealer should also help you set up your glider for the first time and see you off on your first flight.
- We strongly recommend speedbar wheels, especially for your first flights.

1.4 First mountain launch

- For your first mountain launch, wait until weather conditions are ideal.
- It is best to fly in a location with which you are familiar, as long as it has a suitable launch site and landing site, in terms of both space and aerological conditions.
- Fly with your habitual harness and instrument.
- Experiment with different VG settings, roll reversals, slow flight, high speed flight and stalls at an altitude of at least 350 m (about 1,000 feet).

2. Fundamental Rules

- After major repairs, after replacing the sail or after a long period without flying, always choose a site to fly from that you are familiar with; and where it is possible to land immediately after take-off.
-

Icaro 2000	Alto – Owner Manual	Page # 5/48
03/03/2022		Alto 2022-1-En

- Your glider is delivered to you ready to fly.

DO NOT make any adjustments that are not described in this manual.

- Periodically check the trim values shown in the tables (Chapter IX).
- Fly only after having attended a good school, recognized by your hang gliding federation.
- This Owner's Manual does not replace the checks on serviceability performed by an authorized dealer. This is true even for expert pilots. A pilot who is in doubt about any aspect of his/her glider should consult his dealer, or ICARO 2000, for advice.
- Never fly alone.
- Before every take-off, always perform both an assembly check and a pre-flight check.
- Don't push your luck! Fly only in places suited to hang gliding. It is your responsibility to be aware of the limits of your glider, and the limits of your own experience.
- Don't attempt towing of any kind, unless you have attended a recognized towing school. Always fit wheels on your speedbar when towing.

3. Certification and General Restrictions

3.1 Certification

All ICARO 2000 hang gliders have the German certification (DHV). Icaro gliders are rated according to the German DHV as follows:

- **class 1** (beginner pilots) – **Piuma, Relax, Mars**
- **class 2** (intermediate pilots) – **Laminar EZ,**
- **class 2-3** (advanced pilots) - **Alto, 12 MastR, 13 MastR, Orbiter**
- **class 3** (advanced pilots) – **14 MastR, 12.6 Laminar, 13.2 Laminar, 13.7 Laminar, 14.1 Laminar, 14.8 Laminar**

3.2 Wind Speed

- When the wind speed is stronger than 30 km/h (~15 knots), launch becomes risky. In these conditions, consult with more experienced pilots before launching. Trust those who advise prudence, and do not be let yourself be influenced by pilots showing excessive self-confidence or brash disregard.

If in doubt, do not fly.

3.3 Turbulence

- In turbulent conditions, gusts of descending air can induce sudden powerful negative forces on the glider; such negative forces must be avoided.
- Never fly on the downwind side of a mountain or ridge. This could be extremely dangerous, even in just a moderate breeze.

3.4 Aerobatic Flying

- Aerobatic flight includes flying with bank angles greater than 60°, pitch angles greater than 30°, whip-stalls, wingovers, loops and spins.

ATTENTION: Aerobatic flight can be fatal. It is, therefore, prohibited by Icaro 2000 and by the German Certification Federation (DHV).

4. Transport

4.1 By Car

Serious damage can be caused to the glider during car transportation; a well-padded roof rack is necessary to avoid damage. For additional safety and support, we strongly suggest you install a front rack on your vehicle.

There are good racks on the market, expressly designed for glider transport; these can be easily assembled on normal roof racks. Ask your dealer or Icaro 2000 for details.

4.2 By Gondola lift or Cable car

To avoid any damage when transporting your glider on a cable car, it is best to supervise the loading and unloading of the glider.

4.3 By Plane

Your glider needs to be well protected if it is to be transported by plane. Use a wooden crate, or a stiff cardboard tube. Your dealer or ICARO 2000 can supply these. Always let the airline know the dimensions and weight of your glider, well in advance.

4.4 Short Packing

It is best to avoid short packing your glider, because it may cause the formation of a marked crease on the leading edge mylar of both wings.

If, however, you have to short pack your glider, it is important to follow these instructions:

- Write notes as you disassemble so that you know exactly how to reassemble the glider afterwards. Where possible, reposition pins, bolts and washers in their correct positions, maintaining the sequence in which they will be reassembled.
- Undo the sail fastening on the end of the leading edge tube.
- Remove the pin holding the compensator cable attached to the swivel tip lever.
- Replace the pin in order not to lose it.
- Press the spring button on the leading edge tube and remove the terminal section.
- Be careful not to wrinkle the mylar leading edge insert too much when you fold the sail; it is possible to remove the insert.
- Wrap the leading edge tube that you have removed with soft fabric.
- At the outer end of the leading edge tube inside the sail, place a suitable form of protection on the end of the tube to prevent it from damaging the sail (for example, a plastic bottle from which you have removed the top half).
- Fold the wingtips as normal (ie in the same way as when you are folding the outer section of the sail), and fold it back onto the shortened wing. In performing this operation, place a cardboard tube (6-10 cm of diameter) on the sail around which to make the fold. This will prevent or reduce damage to the wing and the internal mylar.

Repeat steps 2-8 for the other wing.

To re-assemble your wing, follow the instructions in reverse order.

The reduction of length, removing the outside leading edge, will be as follows:

Alto	S	M	L
Cm	144 / 4.7	127 / 4.2	140 / 4.6

When re-assembling the leading edge tube, check that the spring button has popped up and emerged from the tube. Remember to reconnect the compensator cable to the tip, making sure that it is not wound around the wing tip.

Icaro 2000	Alto – Owner Manual	Page # 7/48
03/03/2022		Alto 2022-1-En

5. Assembly

There are two methods of correctly assembling your Alto:

[On the A-frame](#) – this is without doubt the preferable method in most cases, because it prevents direct contact between the sail and the ground, therefore avoiding abrasion and damage caused by stones etc.

[On the ground](#) – this method should be used only in the case (best avoided) that you wish to leave the hang glider open for extended periods in high winds.

Note: Hang gliders can fly in one direction only. Left and right should be understood as seen from flying position.

5.1 On the A-frame

Place the glider on the ground

- In a light breeze, place the glider so that the tail is facing into the wind.
- In a moderate breeze, the keel must be perpendicular to the wind

If the ground where you are assembling the glider is not flat, point the nose of the glider towards the top of the slope.

5.1.1 Starting Point

Important: All the circular-section speed bars manufactured by Icaro 2000 are made with complex curves on several planes. The curves in the horizontal plane create the grips. The curves in the vertical plane are designed in such a way so that when the pilot moves laterally in flight, the distance between pilot and speed bar remains roughly constant.

- Open the cover, remove the Velcro fasteners, lift the two downtubes up together and fix the speed bar into position using the push-pins and the locking plates. **Do not forget the locking plates!** (The competition A-Frame does not have these rings).
- Make sure that the camber of the speedbar faces the nose of the glider. When you turn the glider over, the centre of the speedbar touches the ground first (carbon speedbars can only be assembled the right way), before the extremities of the A-frame.
- Turn the glider over and lean it on the A-frame so it stands stably.
- Remove the glider bag and any remaining Velcro ties.
- Raise the kingpost
- Open the wings completely, keeping the tips close to the ground and leaving the tip covers on.

Fixing the cross-bar

It is important to perform the operation exactly as described in this stage of assembly in order to prevent the possibility of launching without having locked the cross-bar.

It is essential to launch with the hang glider correctly assembled, and in particular with the cross-bar locked. For this reason, the slight possibility of greater wear when inserting battens with the cross-bar locked into position is of no consequence when compared to the grave risks involved in taking off with the cross-bar not locked.

- Ensure that the wings are fully open.
- Pull the bungee on the rear part of the keel until you can grasp the handle.
- Pull the cord until you can reach the small plate with the lock hole, and secure it to the keel bolt by means of the spring button
- Hook the rear king-post cable to the plate on the keel. (If you connect the front cables before fastening the rear cable, this will be impossible).
- Take the shackle that is attached to the front wires and secure it to the nose hook. In order to do this, you need to force the nose slightly downwards using the handle fitted for this purpose.
- Again, if the wind is not too strong, you can extract the terminal part of the keel by means of the spring button and rest the hang glider on the keel end. This makes assembly more practical. However, remember that this position is not very stable (it should not be used if wheels are fitted to the speed bar), and the hang glider may topple over and hit the ground with its wings.

Icaro 2000	Alto – Owner Manual	Page # 8/48
03/03/2022		Alto 2022-1-En

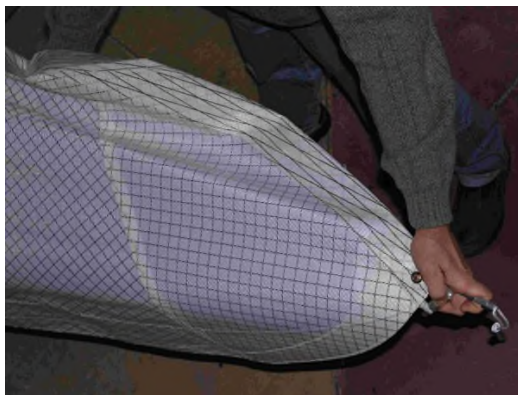
Note: On our hang gliders there is a small safety cord attached to the shackle on the front wires. This has the effect that if the crossbar is not completely opened, it is impossible to hook the front wires in. At the same time, once the front wires are secured, it will be impossible to close the glider even when the crossbar is not locked open. Remember that having secured the front wires does not necessarily mean that the crossbar is also hooked in. In the event that the crossbar is not hooked in, the safety cord will prevent the wing from closing after take off; but in this case it is essential to head straight for the landing field without making any brusque manoeuvres.

**Do not, therefore, omit this point from your pre-flight checklist.
Do not lift the keel at the rear if the crossbar has not been completely opened. If you do so, you risk damaging the nose plates and bolts.**



5.1.2 Mounting the fibreglass tips (Tip Wands)

- Remove the tip cover and open the wing-tip zipper.
- Insert the thick end of the fibreglass tip into the aluminium hole at the end of the leading edge tube. Push firmly until you hear the tip hitting the stopper (clack!).
- Standing in front of the glider, hold the leading edge with one hand and the wingtip with the other hand. Bend (do not pull) the thin end of the tip towards the trailing edge and, at the same time, position the tip-lever cap over it.



- Using the attached cord, push the tip-lever into the sail until it “clicks” against the fibreglass tip. The sail is now tensioned.

Warning : Keep your fingers clear while closing the lever!

- Close the wingtip zipper. At this stage, the sail may not be flat but slightly twisted. If so, twist the end of the sail slightly to make it flat; failing to do this could cause a slight turning tendency in the air.

Icaro 2000	Alto – Owner Manual	Page # 9/48
03/03/2022		Alto 2022-1-En

5.1.3 Positioning the Aluminum tip (Outer Sprog)

Note: In the pictures shown below you will see the battens already inserted in the sail. Remember that it is important – and better – to position the tip **before** inserting the battens

- Hold the rear part of the tip (not attached to the leading edge tube), located in the outer section of the wing, and rotate it towards the trailing edge until it is inside the sail.



- Make sure that the tip wire is free and running parallel to the tip; it must not be twisted around it! In order to complete the positioning of the tip, you have to close the zipper on the sail; this should be done after the battens have been inserted.
- Repeat the same procedure for the other wing.

5.1.4 Inserting the Battens

- The red battens are for the left wing and the green battens are for the right wing. Take them out of the bag and lay them down on the ground on the correct side.
- Start from the centre of the hang glider, begin with the longest one and continue outwards until you have inserted the shortest batten.
- Place each one into its batten pocket and secure it on the trailing edge.
- Then insert the straight battens into their pockets on the double surface.

Note: The number of battens may vary according to the model and size of hang glider.
The nose battens remain in the sail at all times.

5.1.5 Final Steps

- It is now possible to close the aluminium tip zippers. Simply closing the zippers will automatically secure the position of the tips, by means of a special ribbon.
- Close the zipper making sure that both zip pulls are near the nose. By doing this, the crossbar safety cord is almost completely enclosed inside the sail.
- Now place the nose fairing in its final position. All that you have to do is to position the lower Velcro strip fasteners, because the upper part is guided into the correct position by an elastic cord.
- Pass the VG cord through the jam cleat on the speedbar.

Assembly is now complete: now perform the assembly check!



Icaro 2000	Alto – Owner Manual	Page # 10/48
03/03/2022		Alto 2022-1-En

5.2 Flat Assembly

Position the hang glider on the ground with the nose into the wind.

5.2.1 Starting Point

- Open the bag, lay down the down tubes and secure the speedbar with the push pins and the small safety plates. Do not forget the safety plates! The Competition A-Frame does not have these plates. Make sure that the camber of the speedbar is facing the nose of the hang glider.
- Turn the hang glider over but leave it on the ground.
- Remove the glider bag and the remaining Velcro ties. Open the wings keeping them low with respect to the ground.

Note: follow the same steps as for the “Assembly on the A-frame”; therefore return to page 8.

5.2.2 Final Steps

- Please remember that when you lift the glider onto the A-frame in high winds, it is important never to lift the nose of the hang glider more than required.
- Stand behind the glider, and pull the elastic cord at the rear section of the keel, until you reach the handle used for pulling the cross-bar into position.
- While lifting the keel slightly, pull the crossbar strap until you reach the fastening plate.
- Hook the plate onto the bolt projecting from the keel while pressing the spring-loaded double pin.

IMPORTANT: after having hooked the crossbar, some of our hang glider models are now in a position in which the lateral cables are taut. Therefore it is better to prevent the hang glider from remaining flat on the ground with the crossbar hooked. Finish the assembly rapidly or release the crossbar tension.

- Stand in front of the hang glider, and lift the nose slowly, using the wind to help you raise it level and up to the height at which it can be correctly supported by the A-frame.
- Take the ring at the end of the front cables and hook it onto the hang glider's nose clip. To achieve this, you will have to pull the hang glider nose downwards slightly, using the webbing strap handle.
- Place the nose fairing into position.
- Carefully turn the hang glider so that it is rotated by just over 90° with respect to wind direction.
- Close the central zipper, making sure that both zip pulls are near the nose. By doing this, the crossbar safety rope is almost completely enclosed inside the sail.
- Pass the VG rope through the clam cleat on the speedbar.

Assembly is now complete: now perform the assembly check!



Icaro 2000	Alto – Owner Manual	Page # 11/48
03/03/2022		Alto 2022-1-En

6. Check list

Before every flight it is obligatory to perform a systematic check of the glider.

6.1 Assembly Check

Start at the nose. Proceed counter-clockwise around the glider checking all listed locations, opening and closing zippers where necessary in order to perform inspections. Finish by checking the centre and the A-frame.

The following points need to be checked thoroughly:

Nose

- Nose wire is attached and the hook is properly closed by the spring clip.
- Nuts and bolts on the nose plate are screwed down tightly.
- Nose fairing fits the leading edge properly, and it is properly fixed by the Velcro strip fasteners.

Crossbar/Leading Edge Left Junction

- Crossbar/leading edge junction is properly secured by the nut and bolt.
- Side wire is in perfect condition and runs in the right direction.
- Crossbar is not damaged.
- The zip is completely closed.

Left Wingtip

- Tip-lever is fully tensioned. The end zipper is closed
- End of the sail is flat.
- The mylar sheet inside the leading edge is correctly positioned, and does not cause any distortion to the wing profile.
- The tip compensation wire is unobstructed and slides freely.
- The tip is mounted and the cable is not twisted around it.
- The zipper is completely closed.

Left Wing Battens

- All upper battens are inserted and properly secured at the trailing edge.
- All lower battens are inserted and properly secured.
- Lufflines are not tangled.

Rear Keel

- All nuts and bolts on the rear section of the keel are firmly tightened.
- The crossbar tension plate is secured in place by the spring buttons.
- Tension strap is in good order.
- VG pulleys are in good condition and the rope is not twisted.
- Lower rear wires are in perfect condition.
- Detachable rear section of the keel is inserted into the main keel and held in position by the spring button.
- The kingpost cap holding the upper cables is correctly inserted into the kingpost.
- The upper wires are in good condition and not intertwined.
- The rear upper wire is fixed to the keel by means of its spring shackle.

Right Wing Battens

- see above : LEFT WING BATTENS

Right Wingtip

- see above : LEFT WING TIP

Crossbar/Leading Edge Right Junction

- see above: "Crossbar/Leading Edge Left Junction"

Central Section

- The hang strap is not damaged, and it is properly secured by means of the respective bolt.
- Look inside the sail to make sure that the main tubes are in perfect condition and that all nuts and bolts on the central plate of the crossbar are tight.
- The nut and bolt that fix the A-frame to the keel are tight and the bolt is not bent.

Icaro 2000	Alto – Owner Manual	Page # 12/48
03/03/2022		Alto 2022-1-En

- Check that the central zipper is completely closed.

A-frame - Lower Corners

- Speedbar is properly attached.
- Speedbar pushpins and their safety rings are in place.
- Both socket head bolts which secure the speedbar are tight and do not protrude from the nylon block.
- The wires attached to the A-frame are not twisted or caught around the A-frame corners.

Symmetry

With the VG totally slackened (zero VG), stand behind the glider while holding the keel up and check the glider's symmetry, comparing the right and left wings. Verify that the twist on both wings is identical; the twist should increase outwards, on both sides.

Perform the same check with VG full on.

If, when changing VG tension, there are marked differences in symmetry, the first thing to check is the tip compensation cable, making sure that it has not caught somewhere.

6.2 Other Equipment Check

Harness

- Parachute is in place and the handle secured.
- Zippers are unobstructed and run freely.
- Hook in and perform a hang check.

To reduce the risk of taking off without having hooked in, we must hook the harness to the hang glider before putting on the harness. Today, nearly all harnesses open at the front, and so they are easy to put on even when the harness is attached to the glider. If you have to leave the glider after having hooked in, it is best to take off the harness while leaving it attached to the hang glider. The possibility of being surprised and overturned by a gust of wind while you are waiting at the launch site, generally involves much less risks than those consequent to taking off without having hooked in.

- Leg-straps are in place and buckles are secured.
- During the hang check, the centre of the speedbar deforms about 3 to 4 cm (~1 to 2 inches) upwards, when compared to its position in flight. Bear this in mind when evaluating your height from the bar; on the ground you should leave a gap of at least 5 cm (~2 inches) in order to have a distance of 8 - 10 cm (~4 inches) in flight. This position is generally the one that is most comfortable. The airfoil section speedbar does not deform **on flat ground** because it does not have the "ox-horn curve".

Helmet

- Make sure that the outer shell has not been damaged (take care not to sit on your harness pack when the helmet is inside, which can damage the helmet. It was not designed for this sort of function).
- Strap is fastened.

6.3 Pre-Flight Check

- **HOOKED IN.**
- Strength and direction of the wind are safe.
- Nose angle is correct
- Wings are leveled.
- Take-off area and glider are clear.
- Airspace is clear from others aircrafts

Icaro 2000	Alto – Owner Manual	Page # 13/48
03/03/2022		Alto 2022-1-En

7. Disassembly

The disassembly of the hang glider is carried out in the opposite sequence with respect to assembly; therefore you have to follow the procedure detailed below:

7.1 On the A-Frame

In high winds, turn the hang glider so that it is facing a direction about 90° from wind direction.

7.1.1 Point

- Position the hang glider with the rear extremity of the keel facing into the wind.
- Make sure that the VG is completely loose.

Note: make sure that the sail is loose before removing the battens, the tips, the sprogs and the fibreglass tips.

This can be achieved by detaching the crossbar tensioning strap from the bolt projecting from the keel and leaving the wing open, as it is held in that position by the safety cable attached to the front cables.

- In a light wind, you can extract the rearmost extremity of the keel, by pushing the spring button and pulling it out. This part remains attached to the glider by a bungee.
- Rest the glider on the rearmost part of the keel as shown in the photograph.

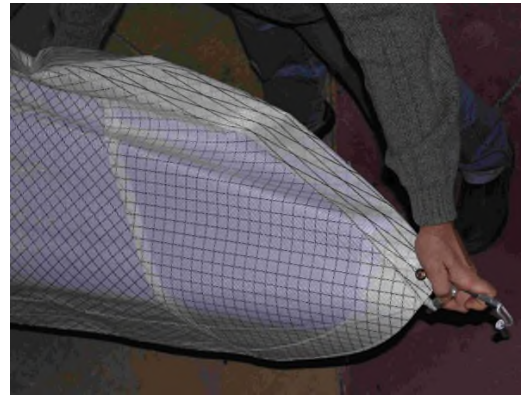


- Open the tip zippers.
- Remove the lower battens and then the upper battens starting from the outer extremity of the wing and moving towards the centre.
- Hold the end of the tip and rotate it towards the centre of the wing until it rests alongside and parallel to the leading edge (the tip remains on the outside of the double surface).

Note: In the pictures below you will see the battens still inserted in the sail, but the tip should be rotated only after all battens have been removed.



- Open the wingtip zipper.
- Grasp the tip-lever by the cord and pull it towards the outside.
- Unhook the tip lever with the cord and pull it towards the outer side.
- Stand in front of the glider at the wingtip, and hold the end of the leading edge tube with one hand and the fibreglass tip lever with the other. Bend (not pull) the tip towards the trailing edge and, at the same time, rotate the lever cap outwards removing it from the tip.



- Remove the fibreglass tip and put it together with the other straight battens.
- Rotate the tip-lever inwards and close the zipper.

7.1.2 Folding the sail wingtips

- With one tip bag in your pocket, stand in front of the leading edge.
- Hold the extremity of the wing by grasping the tip lever bolt, pull it towards the nose and put it along the lower side of the leading edge. The wingtip will be between you and the leading edge.



- Holding the extremity of the wing in this position, take the sail by the trailing edge and lift it upwards until it is tight and from this position roll in the sail, starting from the trailing edge.



- Wrap up the entire wing section with the tip that you kept between you and the leading edge.



- Holding the rolled sail, slip the bag over the tip.
- Repeat the same steps on the other wing.

7.1.3 Final Steps

- Put the battens and the fibreglass tips into their bag.
- Return the extremity of the keel to its closed position.
- Remove the nose fairing.

Icaro 2000	Alto – Owner Manual	Page # 16/48
03/03/2022		Alto 2022-1-En

- Unhook the nose wires. To do this you have to pull the nose downwards slightly. Pull the nose ribbon so the nose's hook safety system will open automatically and you can remove the front wire shackle.
- Remove the kingpost cable attached to the keel. To achieve this, it may be necessary to use one hand to pull on the kingpost towards the trailing edge, while with the other hand you unhook the shackle from the keel.
- Completely release crossbar tension.
- Close the wings. To perform this operation, stand behind the sail and at the centre, grip the trailing edges of both sides of the wing and pull them upwards and towards you.
- This partially closes the wings.
- Complete the wing-closure procedure by manually bringing one and then the other inwards towards the keel. Keep the wing tips close to the ground while moving the wing inwards.
- The sail tends to become trapped between the leading edge and the keel. Pull it upwards and outwards so that the sail is hanging down outside the leading edges.
- Lower the kingpost, remove its cap and put on the protection.
- Roll up the remainder of the sail and fasten the glider ties. Ensure that where the leading edge cloth meets the uprights, it curves inwards and upwards to prevent damage.



- Put the nose cone under the Velcro tie closest to the nose.
- Put the glider bag onto the hang glider.
- Turn the hang glider over and lay it carefully on the ground.
- Unhook the speedbar and place the protection over the duntube tips. This protects the sail from damage.
- While lowering the duntubes, make sure that all the wires pass between the duntubes and are not tangled. Also check that the hang strap is not twisted under the duntubes.



Icaro 2000	Alto – Owner Manual	Page # 17/48
03/03/2022		Alto 2022-1-En

- Place the downtubes between the leading edges, inside the sail.
- Place the battens and the speedbar into the rear part of the glider cover. To do this, you will have to undo one or more Velcro ties and then refasten them.
- Close the zipper and load the glider onto the car; drive carefully ☺

7.2 Flat Disassembly

7.2.1 Starting Point

- Position the hang glider with the nose into the wind.
- Remove the nose fairing and unhook the nose wires.
- Release crossbar tension by pushing the spring buttons and releasing the tension plate; let it slide into the sail.
- Lower the hang glider down on the ground by pulling it towards you.

Note: make sure that the sail is loose. Now proceed in the same order as indicated for “Disassembly on the A-frame”, therefore return to page 14.

8. Hints and Tips

In this section we provide some suggestions with the aim of ensuring maximum flight safety and enjoyment.

The Alto was specifically conceived to offer pilots maximum flying pleasure without penalising performance, while also guaranteeing high standards in terms of glider behaviour and predictability, contributing to safety.

This hang glider was designed for pilots of average experience who wish to begin exploring the potential of hang glider flying, with cross country flights of some distance. The Alto will also be enjoyed by pilots of long experience for whom flying is nothing else but pure pleasure.

8.1 Variable Geometry

The Alto can be supplied with the variable geometry (VG) system.

Pulling the VG cord moves the crossbar backwards. Thereby it increases the nose angle, tightens the sail and substantially changes twist (washout) and airfoil geometry. Pulling the variable geometry improves sink rate and gliding angle. Therefore VG should be tight in all those conditions in which maximum efficiency and speed is required.

When VG is loose, handling improves. VG should therefore be totally or partially released in all those conditions in which maximum handling sensitivity is required, such as when near the ground, at take off if turbulent conditions are likely just after launch, in thermals, and when landing.

In order to further improve handling, all Icaro’s gliders are fitted with “swivel tips”. This is a special system that links both outer tips, allowing them to move asymmetrically during turns, making it easier to fly the glider.

To get the maximum performance from your hang glider you can use your VG intensively throughout the flight, to increase or decrease the sail tension.

8.2 Take Off

For take off you can pull the VG in by about 50 cm (~20 inches), which improves ground handling and tightens the lower wires. If the conditions around take off are very buoyant, it is better to leave VG totally released.

Although the launch characteristics of the Alto are good forgiving to permit minor errors during taking off, such as the nose angle a little too high or takeoff speed a little too slow, always keep the nose down (~15°) and run up to maximum speed, accelerating progressively.

IMPORTANT: Do not take off with a wet sail!!! If your glider has got wet during set up, dry it before take off. A wet sail will stall at higher speeds, making take off and landing considerably more difficult.

Icaro 2000	Alto – Owner Manual	Page # 18/48
03/03/2022		Alto 2022-1-En

8.3 Flight

In conditions of calm rising air, you can fly with the VG tightened to a degree, which enables a better rate of climb to be achieved.

However, in general, you should use VG in proportion to the speed at which you wish to fly. The faster the desired speed, the more you should tension the sail by tightening the VG.

It is usually counter-productive to fly at excessively low speed with the VG fully tightened, because manoeuvrability is lower when VG is tight. In addition, under these conditions, stalling is faster and more marked than when the VG is released, and this requires faster reactions on the part of the pilot, and more altitude in which to return to normal flight.

IMPORTANT: therefore you should never fly close to the ground with the VG fully tightened, whatever hang glider you are flying.

Use the VG according to the aerological conditions: in turbulence, the wing should not be excessively loose, which would reduce performance, but neither should manoeuvrability be compromised by too much VG.

8.4 Landing

When flying the Alto, the final flare is easily performed under all conditions and VG configurations. Close to the ground though, you should not have more than $\frac{1}{3}$ VG on in order to ensure a fast response time for your glider.

When landing in turbulent conditions, it is better to leave the VG off.

- After the approach, fly your final leg into the wind at a medium-high speed.
- When you are close to the ground slow down smoothly, flying parallel to the ground and gradually easing up the speedbar.
- As soon as you feel that the glider is about to stall, flare! With less wind you should flare harder. If the wind speed on the ground is greater than 15 km/h, the final stall does not have to be so energetic. The greater the wind at ground level, the less pronounced your stall should be.

9. Trim

When the glider is assembled, the sail must be placed on the frame in such a way that the tension is perfectly symmetric.

The sail's tension may be modified by adjusting the fibreglass tip lever tension or the pressure exerted on the batten tips at the trailing edge.

On all Icaro's wings you can also adjust wingtip sail tension by means of the plate with multiple holes that permits leading edge tension to be modified.

Unless absolutely necessary, we strongly suggest that you leave the sail tension as when delivered from the factory.

9.1 Turn tendency

9.1.1 Turn tendency with no VG:

- Verify the batten profile using the supplied batten plans.
 - Check that the sail tension on the left fibreglass tip is the same as on the right fibreglass tip. If they are different, fix the lever to a different hole in order to restore symmetrical tension.
 - Check that the tube holding the fibreglass tips (at the end of the leading edge) is not damaged, and that the tips are held correctly inside it.
 - Check that the sail tension on the left wingtip is equal to that of the right wingtip. If there is a difference, fix the sail at a different hole so that tension is properly balanced.
 - Check that the eccentric Nylon caps, holding the above-mentioned tubes, are symmetrical.
 - Check that the leading edge and all other tubes are undamaged.
-

Icaro 2000	Alto – Owner Manual	Page # 19/48
03/03/2022		Alto 2022-1-En

If the glider still has a turn tendency

- Turn the nylon cap not more than 5 mm at a time (measured on circumference of the tube holding the Nylon cup), so that the end of fibreglass tip lowers. Make sure you lower the tip same to the turn direction. i.e. if the glider has a right turn tendency, lower the right tip.

This adjustment should be made as follows:

- Mark the position of the cam with respect to the tube by using a felt-tip pen to make a small mark on the tube.
- Using a crosshead screwdriver, unscrew the screw on the top of the head by about 3 or 4 rotations, so that the cam can rotate freely.

Do not unscrew the screw completely, because otherwise the internal section will slip out, and you will have to remove the sail fastening pin to recover it.



- Then knock the head of the screw gently with a hammer, as if it were a nail, in order to overcome the friction created by the internal section.
- Remove the smaller screw at the side of the tube.



- Using a pair of needle-nose pliers pushed into the two holes in the head of the cam, rotate the cam to the degree desired. In the example described above, the cam will have to be rotated 5 mm clockwise.



It should never be necessary to have to apply a correction greater than 15 mm rotation. If it should be necessary, contact your dealer or Icaro 2000.

To fasten the cam in the new position, screw down the screw on the head of the cam, tightening it well.

To ensure safety, you can reposition the smaller screw on the side of the tube. To perform this, you will have to drill a new 1.7 mm hole in the cam, centered on the centre of the hole that is already present in the tube at the wingtip.

9.2 Trim Speed

- It is possible to regulate trim speed by changing the hang point amongst the holes on the keel.



- It is possible to regulate trim speed by changing the hang point amongst the holes on the keel.
- By moving the hang point forward, the glider will fly faster (and vice versa).
- With a higher trim speed, the glider tends to drop the wing less during turns.
- An excessively low trim speed considerably reduces manoeuvrability

IMPORTANT: move the hook-in point forwards or backwards just one hole at a time. The maximum degree of forwards/backwards movement depends on the sail and **NOT** on the number of holes on the keel. In fact in some models, the same keel is used for different sail sizes, which have different centre points. This is why there are more holes than can actually be used.

10. Reflex and Dihedral

On your Alto the elements that provide its pitch stability are: the luff lines, the tips, fibreglass tips and the wing profile. If the profile is modified, the wing requires a corresponding twist setting in order to restore the glider's original stability characteristics. For this reason it is very important to check the profile periodically, and/or after a crash.

Below we describe how to check your glider's reflex and dihedral. This should be done with the glider completely set up.

There are 4 positions that should be checked:

- Positions 1, 2 and 3 are the positions at which the reflex should be checked by measuring the location of two specific battens with reference to the keel (see table below). The battens are numbered from the keel outwards.

ATTENTION: This check (positions 1, 2, 3 and 4) must be done with full VG on, with the keel in a horizontal position, and the side wires fully tensioned.

- Position number 4 covers the outer section of the leading edge where the fibreglass tip is inserted; here you check the glider's dihedral.

For each test, take a length of nylon fishing line, and stretch it tightly between the corresponding points on each wing. Measure the vertical distance from the line to the top edge of the keel. In each case, the measurement must be within the tolerances shown in the following tables:

		Alto S		Alto M
	Batten	Height [mm]	Batten	Height [mm]
Position 1	# 4	+ 62	# 4	+ 146
Position 2	# 5	+ 74	# 5	+ 157
Position 3	# 6	- 12	# 6	+ 121
Position 4	LE Tube End	- 47	LE Tube End	- 135

	Alto L	
	Batten	Height [mm]
Position 1	# 3	+ 76
Position 2	# 4	+ 68
Position 3	# 5	+ 54
Position 4	LE Tube End	- 104

Crossbar cable length that these measurements should refer to:

The above reflex measurements refer to very precise nose angles. For every different nose angle, the wing should have a corresponding reflex. The maximum nose angle attainable with VG full on is determined by the crossbar cable (running parallel to the crossbar). Therefore, the measurements given above are **only** valid for the following crossbar cable measurements:

Model	Crossbar Cable Length [mm]
Alto S	1040
Alto M	1195
Alto L	1205

IMPORTANT: do not modify the reflex wires (luff lines) or the lateral wires, and above all, do not lengthen the reflex wires. Do not adjust the tips, above all DO NOT lower them.

If you change the glider in such ways, its certification is no longer valid, and its behaviour will become dangerous. Always consult qualified staff. Any modifications made by non-qualified staff automatically invalidate the certification of your hang glider.

11. Repair and Periodic Inspections

Every year, or after 100 hours (MANDATORY):

- Compare your batten profile with the supplied batten plan.
- Check the reflex and dihedral as described in the previous chapter.

Every 2 years:

- Have a complete check performed by an authorized dealer or directly by Icaro 2000.
- They should replace your side wires.
- They should remove the sail and carefully check all parts, taking special care for
 - Tubes must have not: dents, corrosion or other damage.
 - Bolts must be not damaged. They must be tight with the right force

Every 5 years or after 500 hours (MANDATORY):

- The glider should be checked by an authorised dealer or directly by our factory.

This check, performed by qualified personnel, is mandatory in Germany.

- The sail will be replaced if necessary.
- All damaged or worn parts must be replaced.
- Replace all the lower wires

After a crash or heavy landing

- Carefully check the whole glider. Sometimes the impact energy is absorbed by parts of the frame that did not come in contact with the obstacle (commonly called “whip lash” damage).
- Thoroughly check the parts of the glider that were directly affected by the crash. But...

...by way of example, remember the following:

- If the nose hits the ground violently in a landing, this may cause the partial or complete fracture of the leading edge tube, even if the leading edge itself did not hit the ground. Partial damage may be very difficult to see without removing the sail.
 - If control bar strikes the ground violently, for example in a landing in which the pilot has stalled too soon and the glider has descended vertically, damage may be caused to the keel, in the area in contact with the crossbar slider and the top A-frame bolt may also undergo damage. As in the previous case, the absence of visible damage (usually the downtubes do not break) does not mean that there is no damage at all
- Replace damaged parts with exclusively original parts. If you have any doubts about the damaged parts,

Icaro 2000	Alto – Owner Manual	Page # 23/48
03/03/2022		Alto 2022-1-En

- call an authorized dealer, or our factory. We will be pleased to give you any necessary advice.
- When replacing spare parts, make sure to note exactly how each component is connected or placed. Never rush a repair job; by taking your time, you are far less likely to make a mistake in re-assembly.

In brief, your glider will last much longer when treated with care.

General Advice:

- The wires must be periodically checked for kinks or broken strands.
- Dirty parts must be rinsed with warm water.
- A wet glider must be dried before storage.
- Don't leave your glider wet for more than one day, because the moisture may give rise to oxidation of the frame and cause the growth of mould on the sail.
- Salt water causes corrosion on all metallic parts. If you land in the sea and survive, you must disassemble the entire glider and wash all tubes, bolts, wires and the sail thoroughly with fresh water.
- If you fly regularly at coastal sites in windy conditions, be aware that evaporated seawater can have the same effect.
- Disassemble your hang glider after a certain number of flights and make a special check for corrosion.

Spare Parts

If you need any spare parts, you may contact your Icaro 2000 dealer or our factory directly. If you should ever place an order (by phone, fax or e-mail), keep the following information in mind so we may enhance the quality of our service (fast and accurate) and to avoid ordering the wrong part:

- The exact model of the glider.
- The glider's serial number.
- The name of the part you need or its exact description.
- The reference number of the spare part.

The serial number is located on the adhesive label on the rear part of the keel, close to the cable junction.

The name of the parts may be found on the drawings in this manual or in our website.

The reference number of the parts may be found on the labels on each part or on the drawings in this manual or on the drawings in our website.

12. Technical Data

Recommended pilot + harness weight (Min/Max).

This is the range of pilot + harness weights (hook-in weight) ideal for the respective hang glider.

DHV certification weight (Min/Max).

This figure is the total recommended take-off weight (hang glider + pilot + equipment).

The minimum weight value is the weight that ensures sufficient pilot control of the glider according to DHV standards.

The maximum value is the maximum weight that can be safely borne by the hang glider and equipment, considering a loading factor of +6/-3 g.

ALTO	UoM	S	M	L
Wing Surface	m ²	13.75	14.63	15.25
Wing Surface with wingtips	m ²	13.85	14.73	15.35
Nose Angle	°	128	127	128
Wing Span	m	9.77	9.98	10.36
Wing Span with wingtips	m	9.89	10.10	10.48
Aspect Ratio		6.9	6.8	7.0
Aspect Ratio with wingtips		7.0	6.9	7.2
Double Surface	%	85%	85%	85%
Battens (upper + lower)	n	16 + 4	16 + 4	16 + 4
Weight (without glider bag)	kg	27	28.5	29.5
Hook-in Pilot Weight (min / max)	kg	60 / 85	70 / 93	85 / 109
DHV Certification Weight (Min/Max)	kg	75 / 115	80 / 121	90 / 138
VNE	Km/h	90	90	90
Velocità di stallo	Km/h	29	29	28
Packed Length	m	4.90	5.15	5.30
Short Packed Length	m	3.45	3.90	3.90
CERTIFICATION				

14. Owner's Log

This log provides a history of the glider's ownership. Please make sure details are correct when you sell the glider.

Purchase Date	Name	Phone	Address
Notes:			

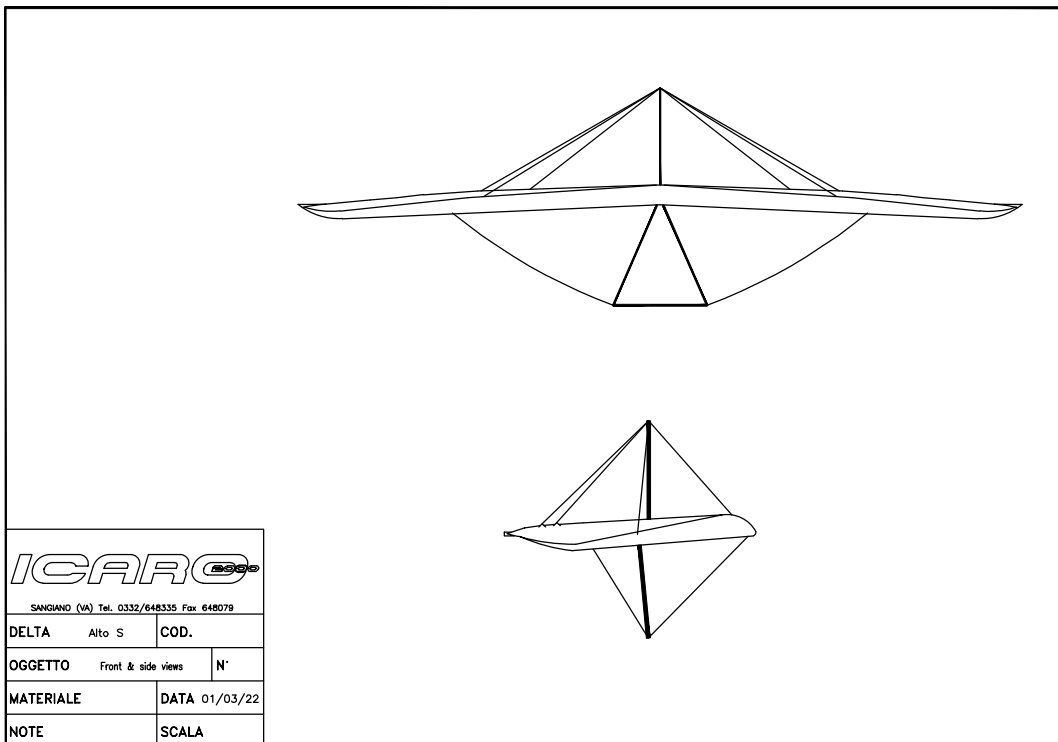
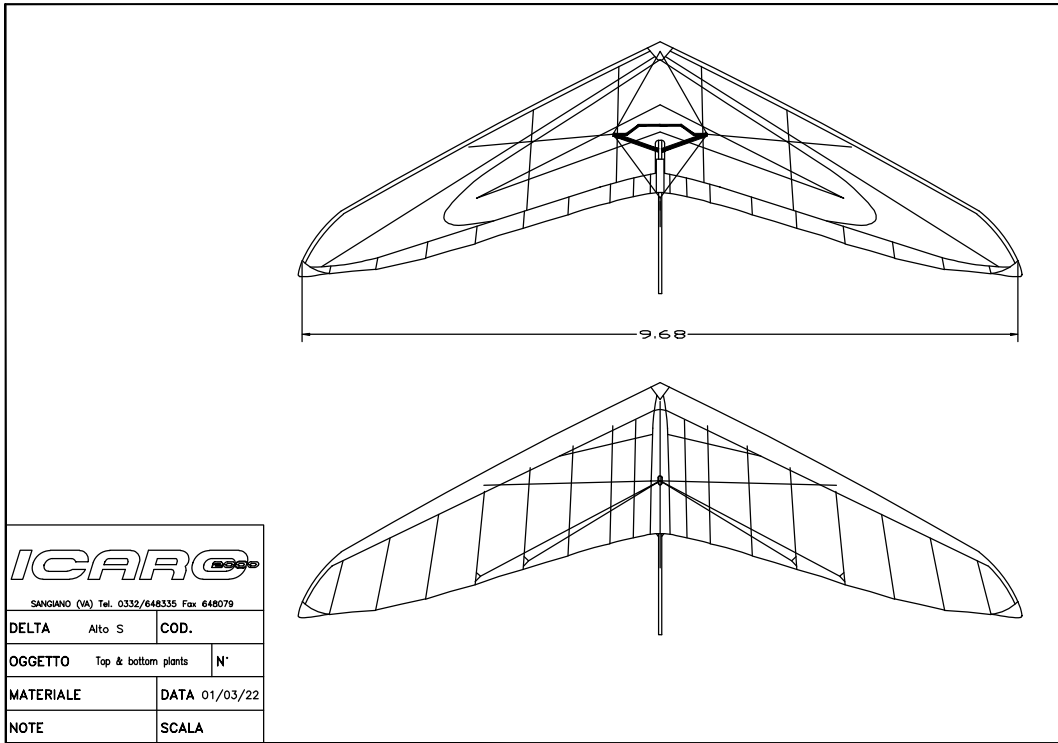
15. Parts list

In the following drawings, it is possible to find the name and the code of the parts that form the glider.

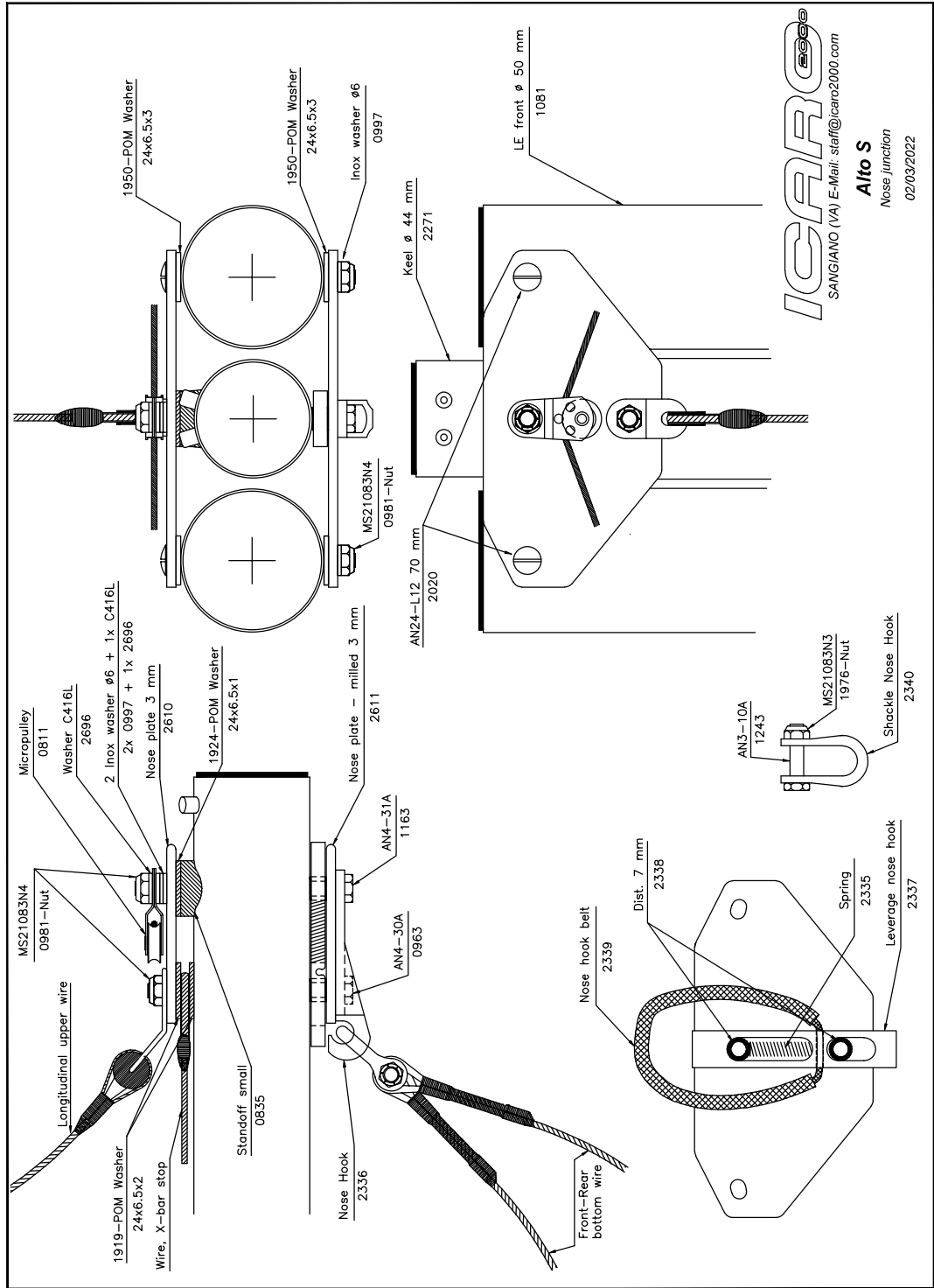
ASSEMBLY DRAWINGS

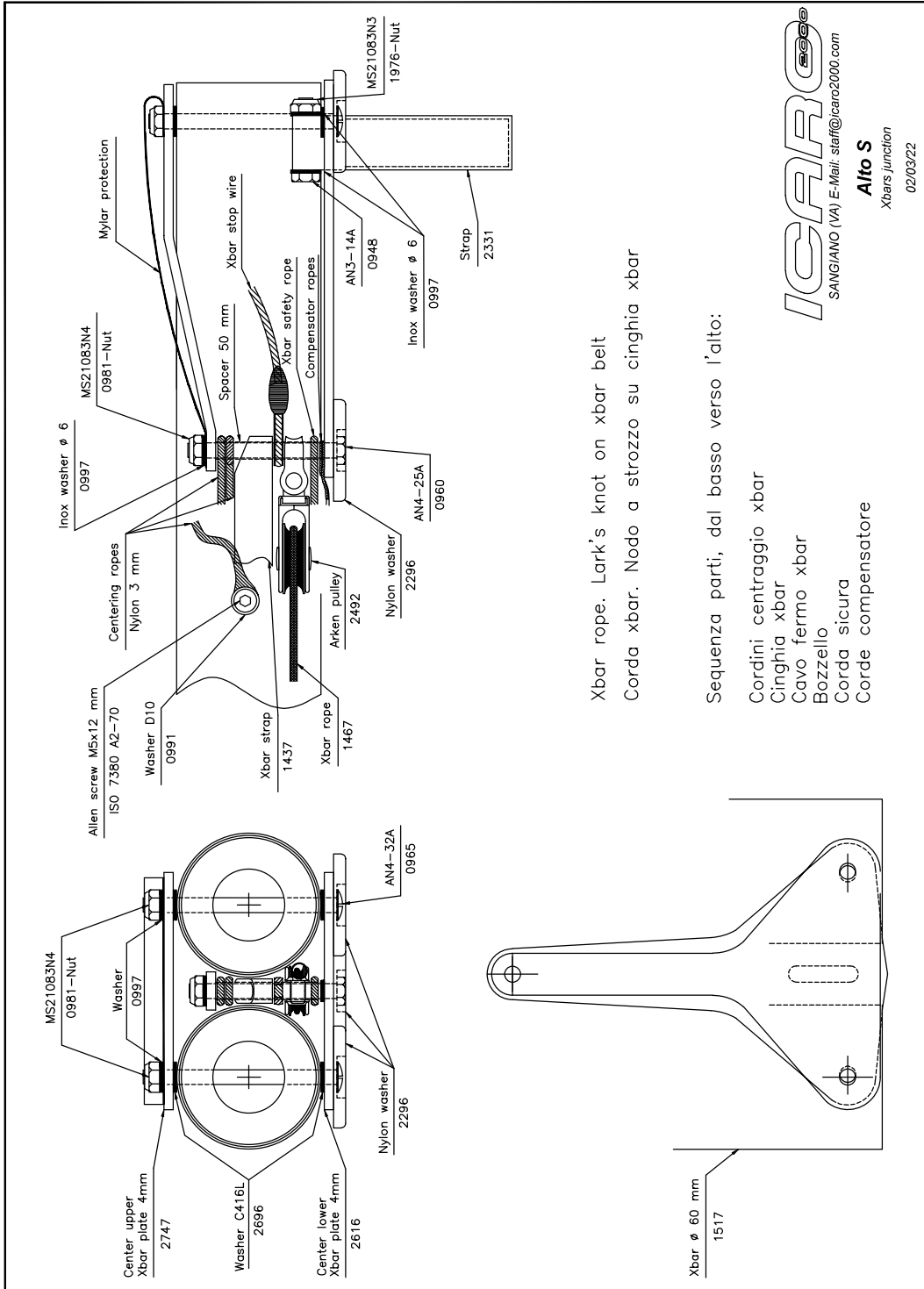
Junction point	Reference drawing name
Keel-Leading edge junction	Nose junction
Central xbars junction	Xbars junction
A-frame-Keel junction	A-frame junct
Leading edge-xbar junction	LE-Xbar junct
VG pulleys mount	Rear Keel

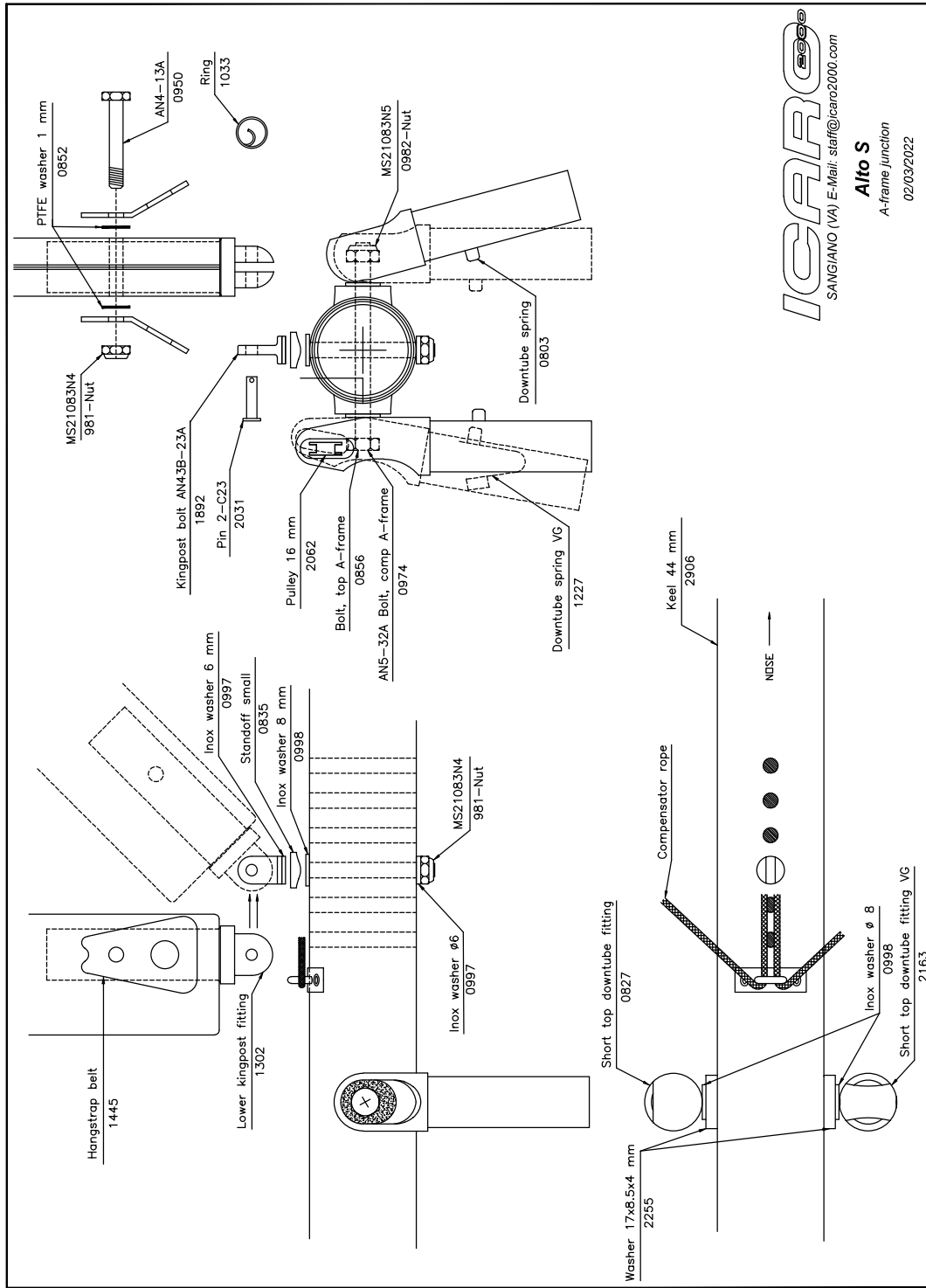
16. Triptych Alto S

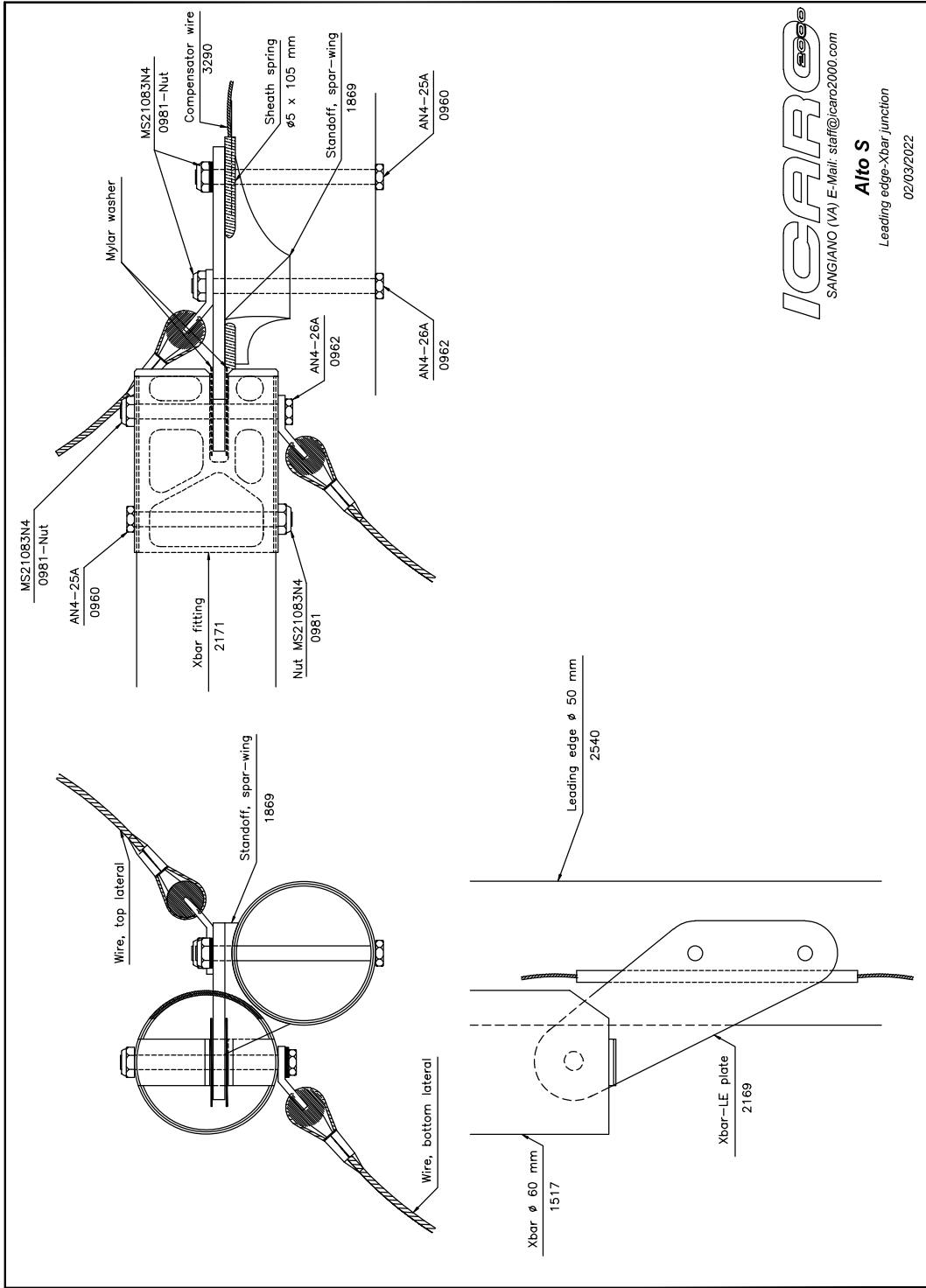


17. Assembly drawings Alto S







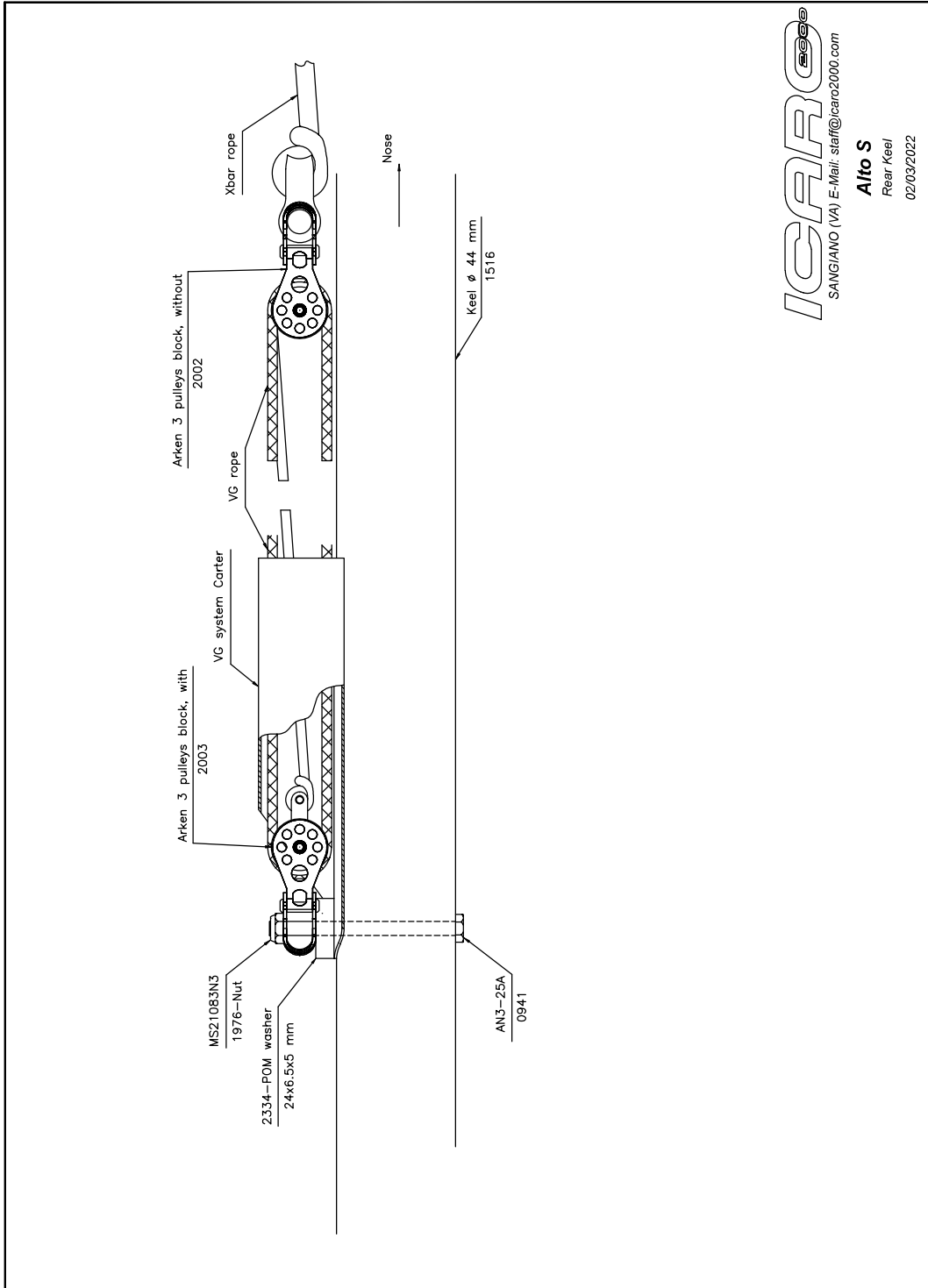


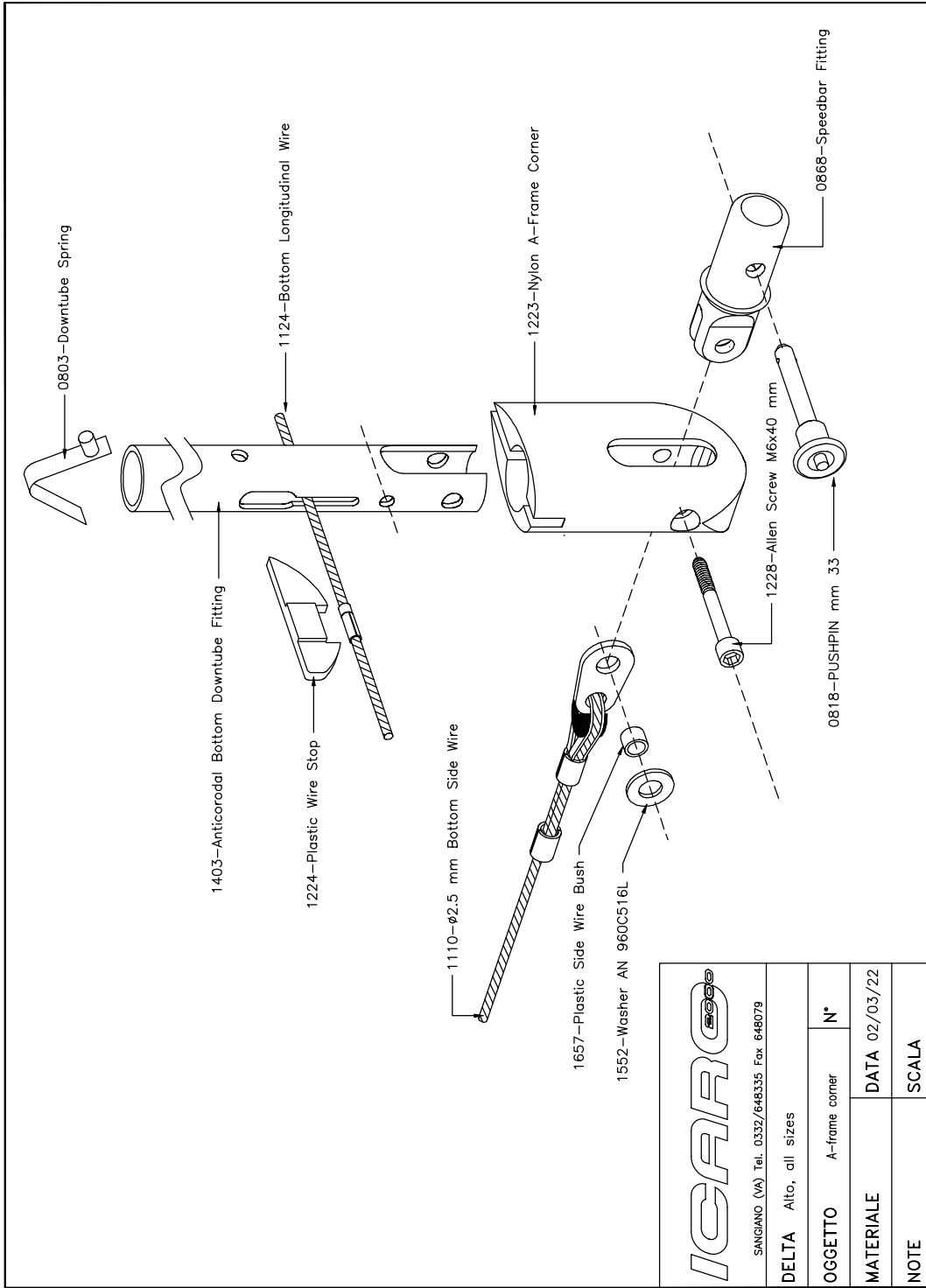
SANGI/ANO (VA) E-Mail: staff@icaro2000.com

Alto S

Leading edge-Xbar junction

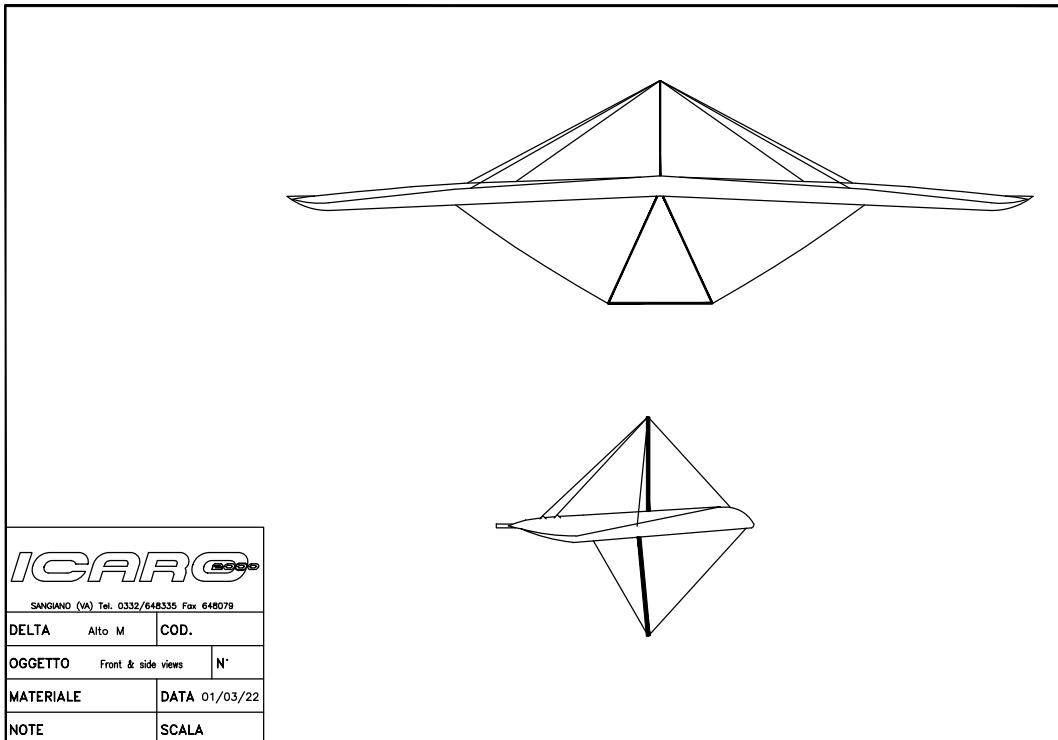
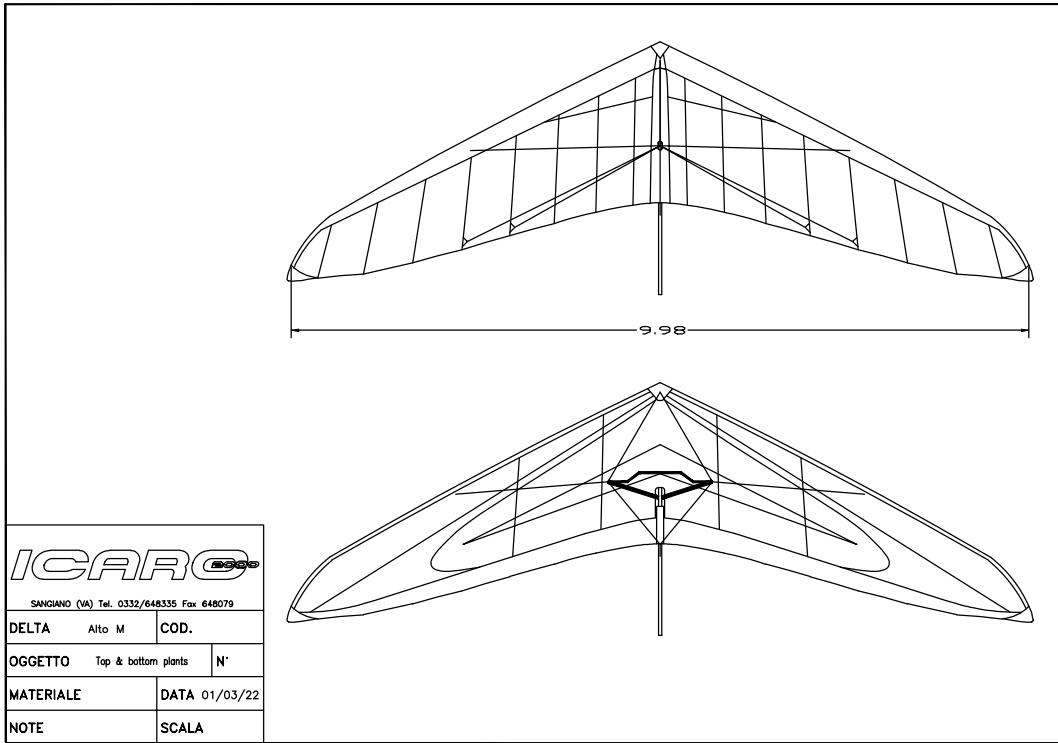
02/03/2022



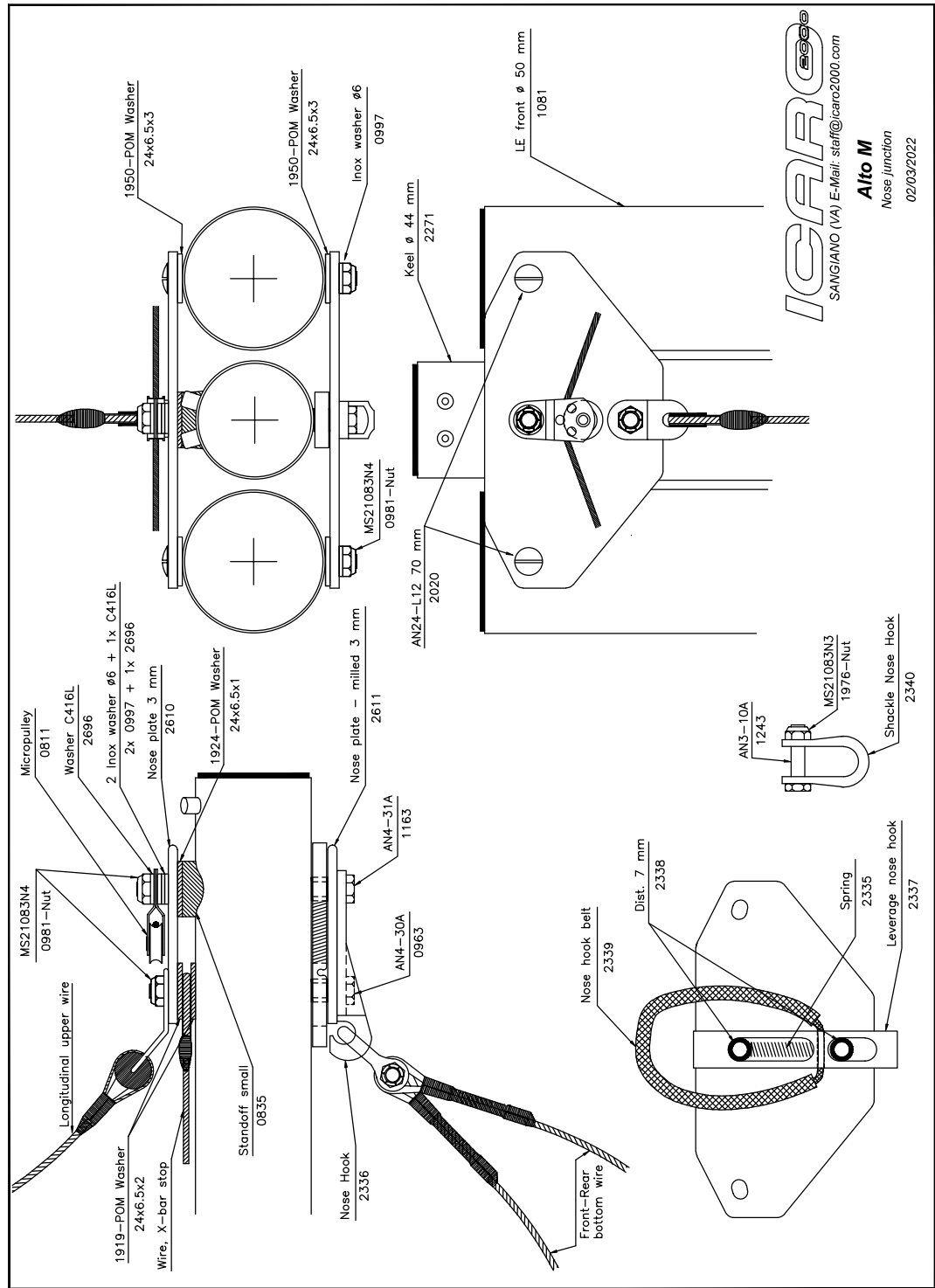


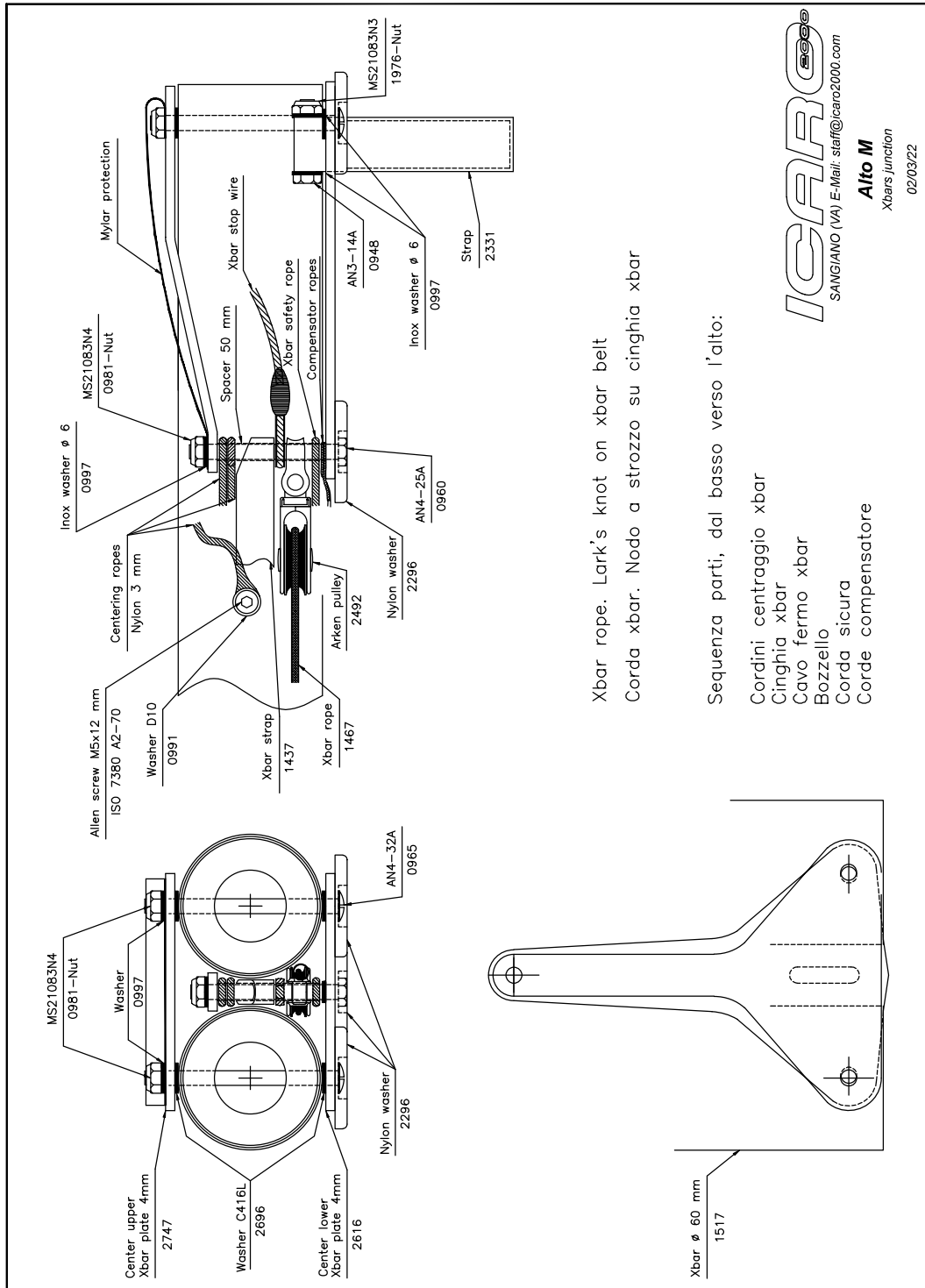
ICARCO	
SANGIANO (VA) Tel. 0332/648335 Fax 648079	
DELTA Alto, all sizes	
OGGETTO	A-frame corner N°
MATERIALE	DATA 02/03/22
NOTE	SCALA

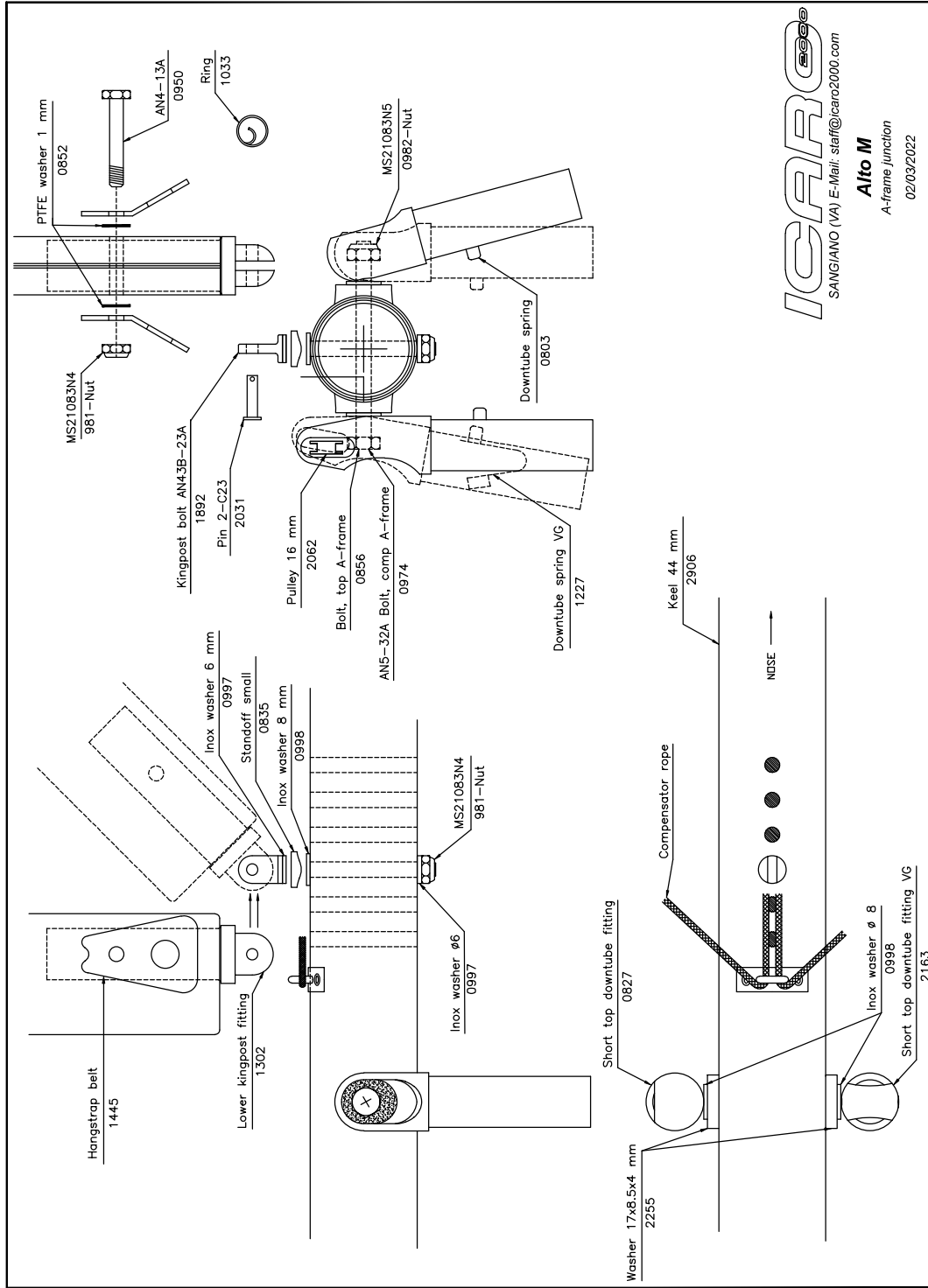
18. Triptych Alto M

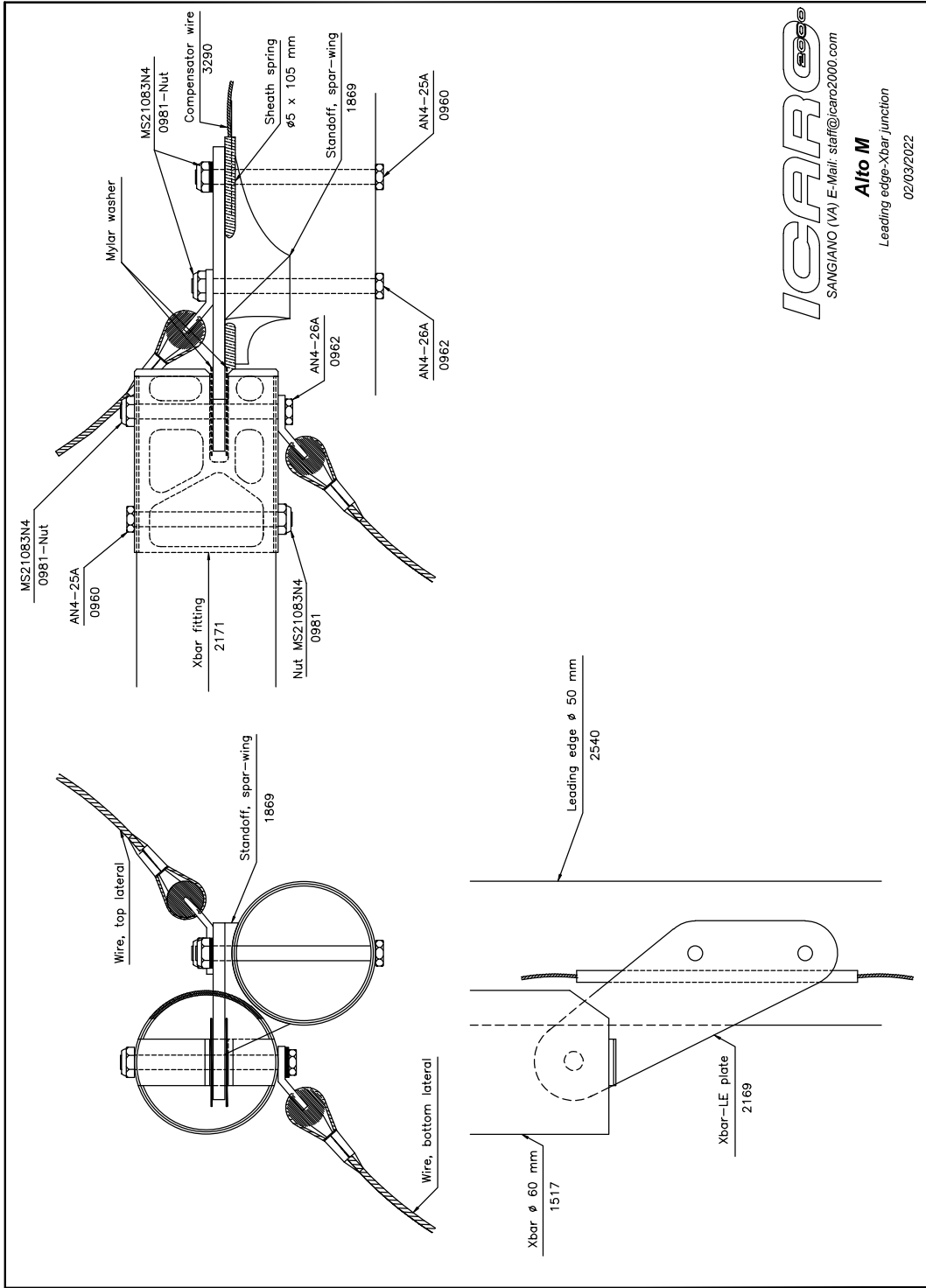


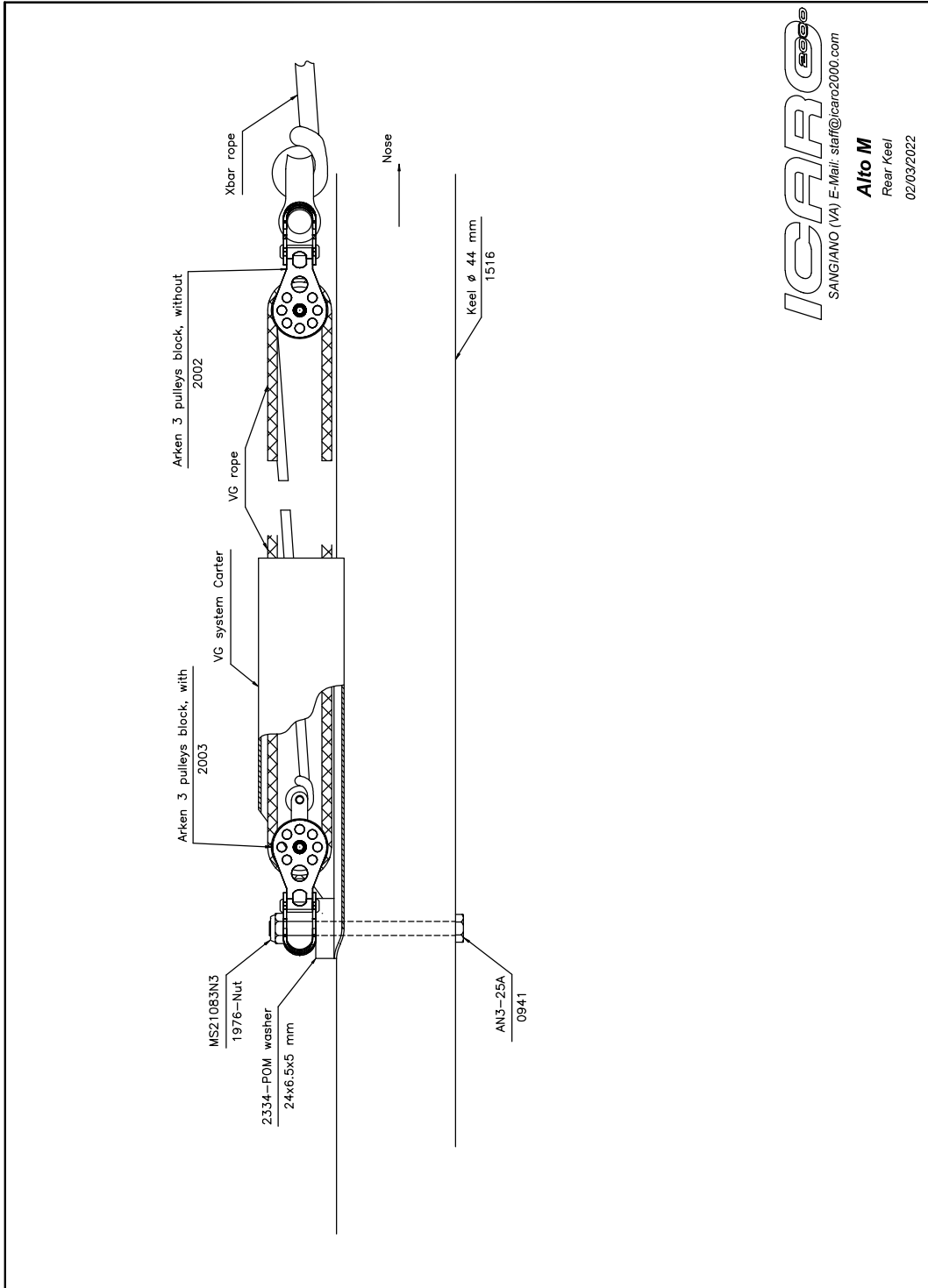
19. Assembly drawings Alto M

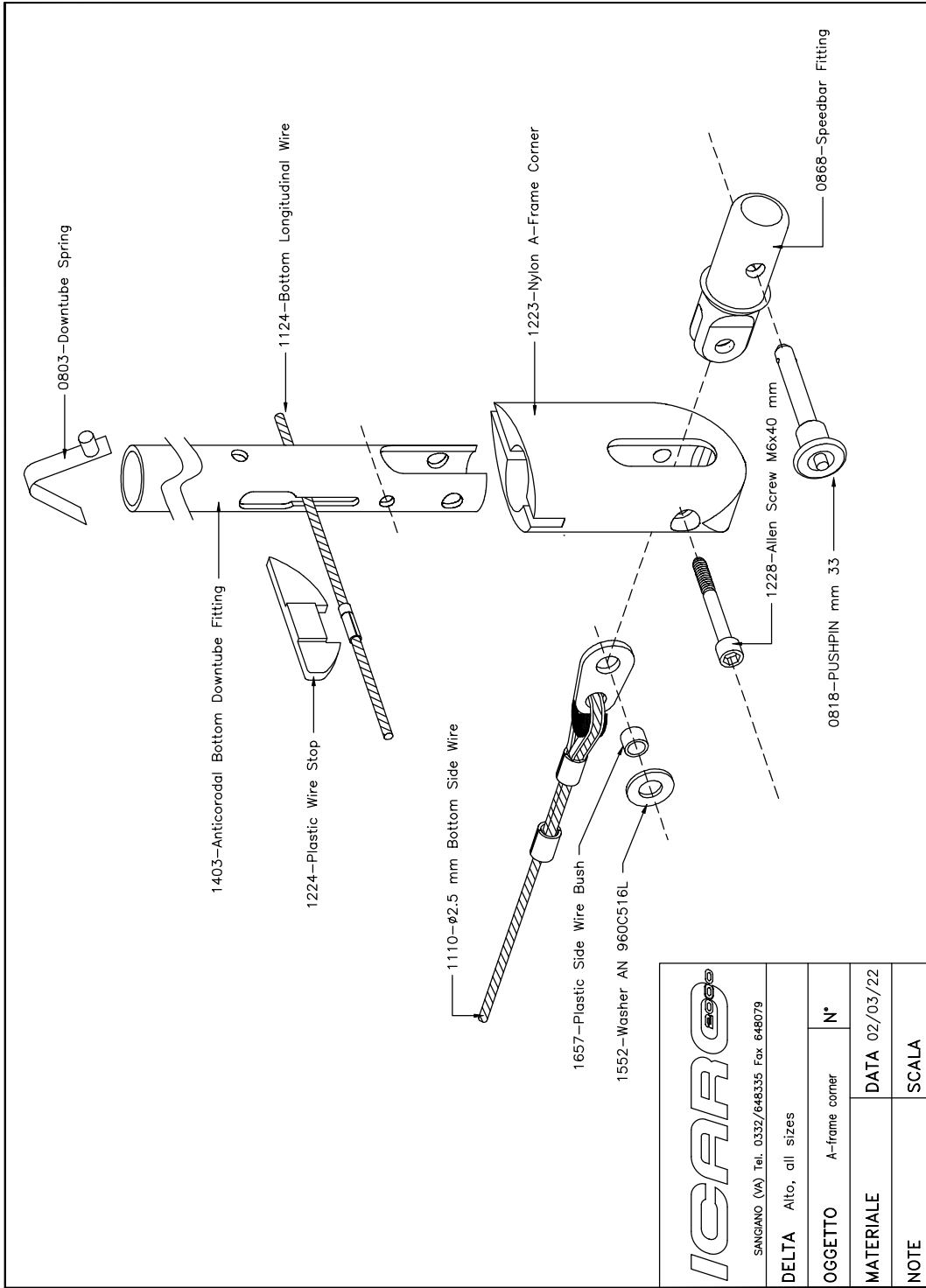






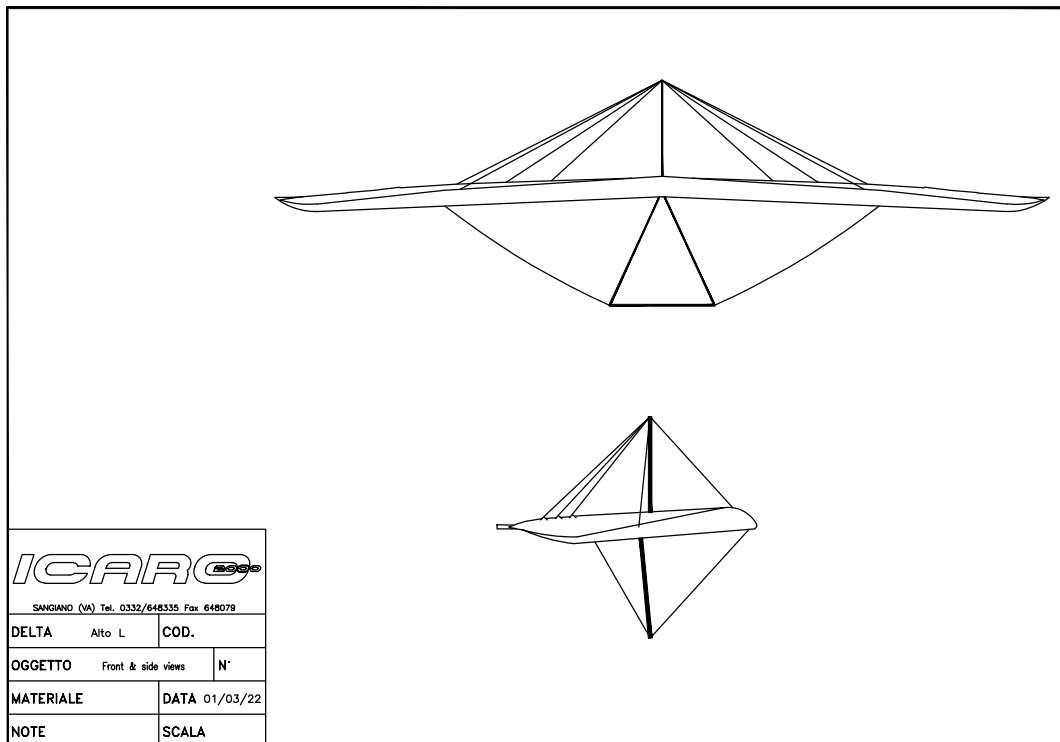
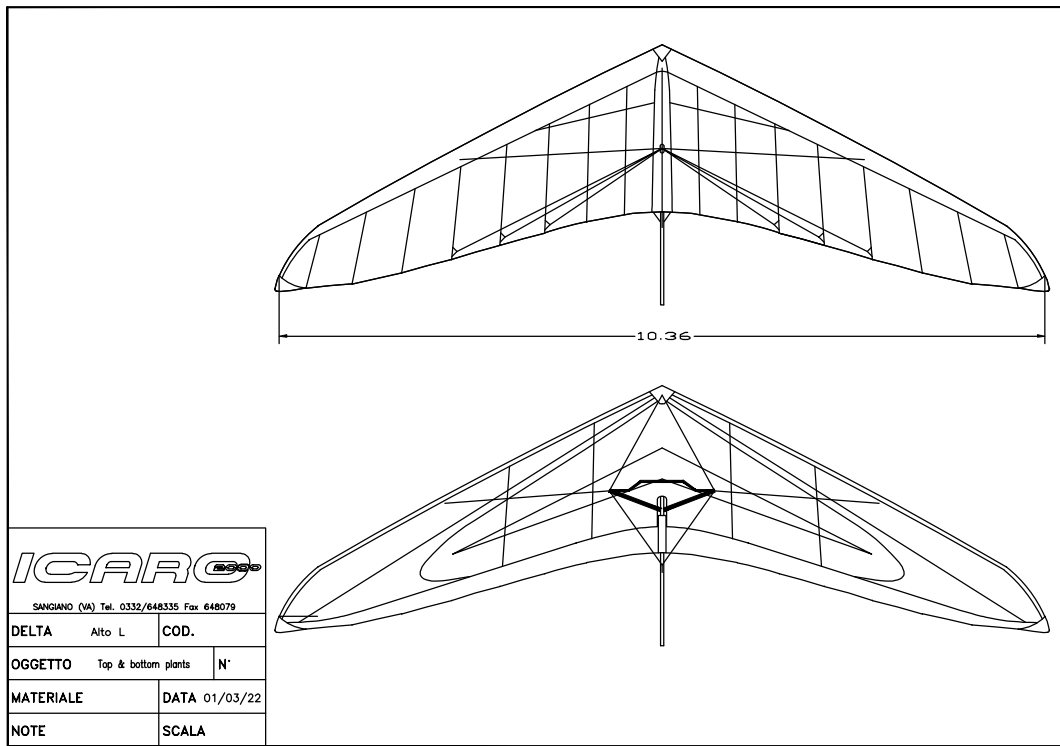




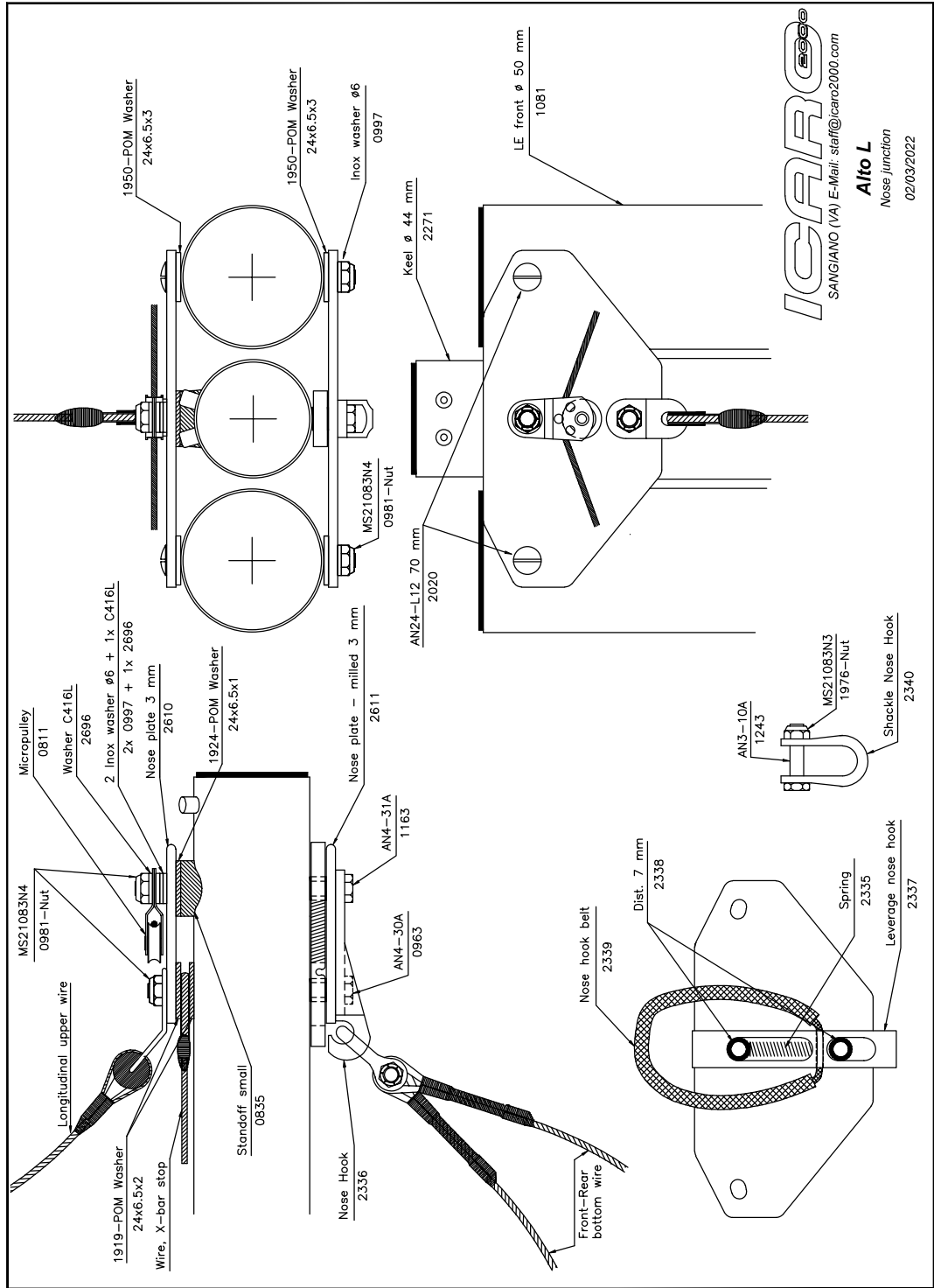


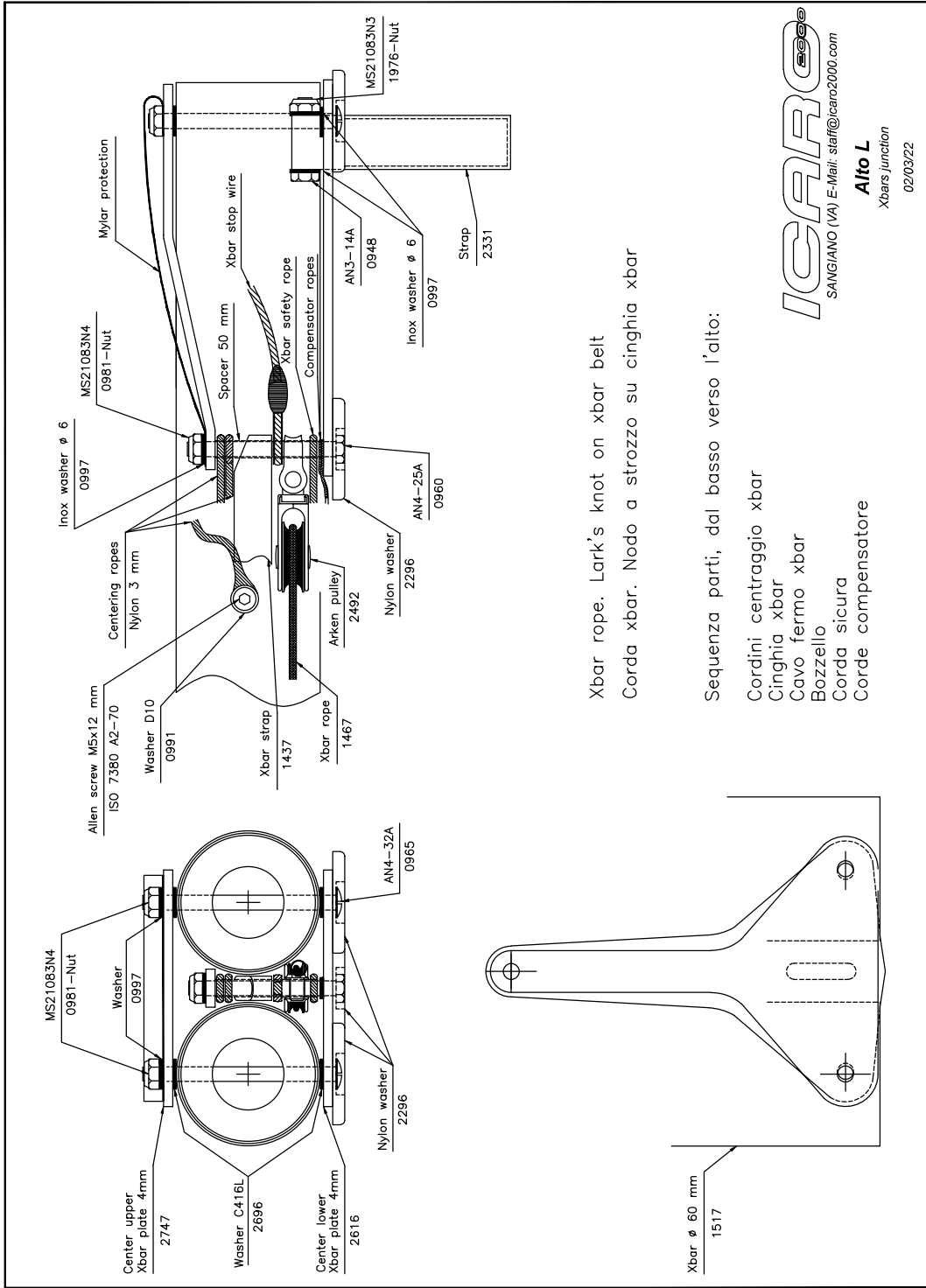
ICARCO	
<small>SANGIANO (VA) Tel. 0332/648335 Fax 648079</small>	
<small>DELTA Alto, all sizes</small>	
OGGETTO	A-frame corner N°
MATERIALE	DATA 02/03/22
NOTE	SCALA

20. Triptych Alto L



21. Assembly drawings Alto L



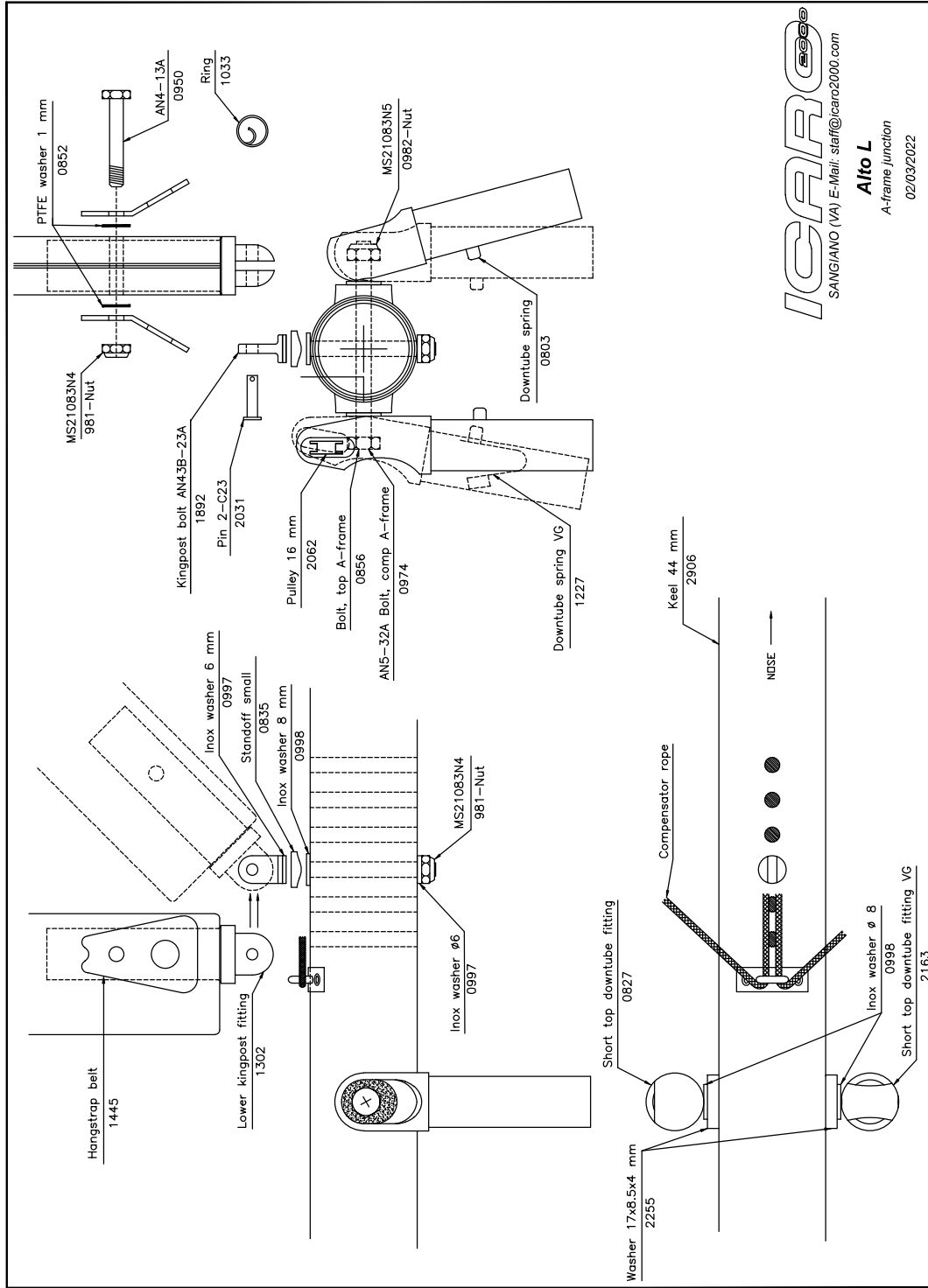


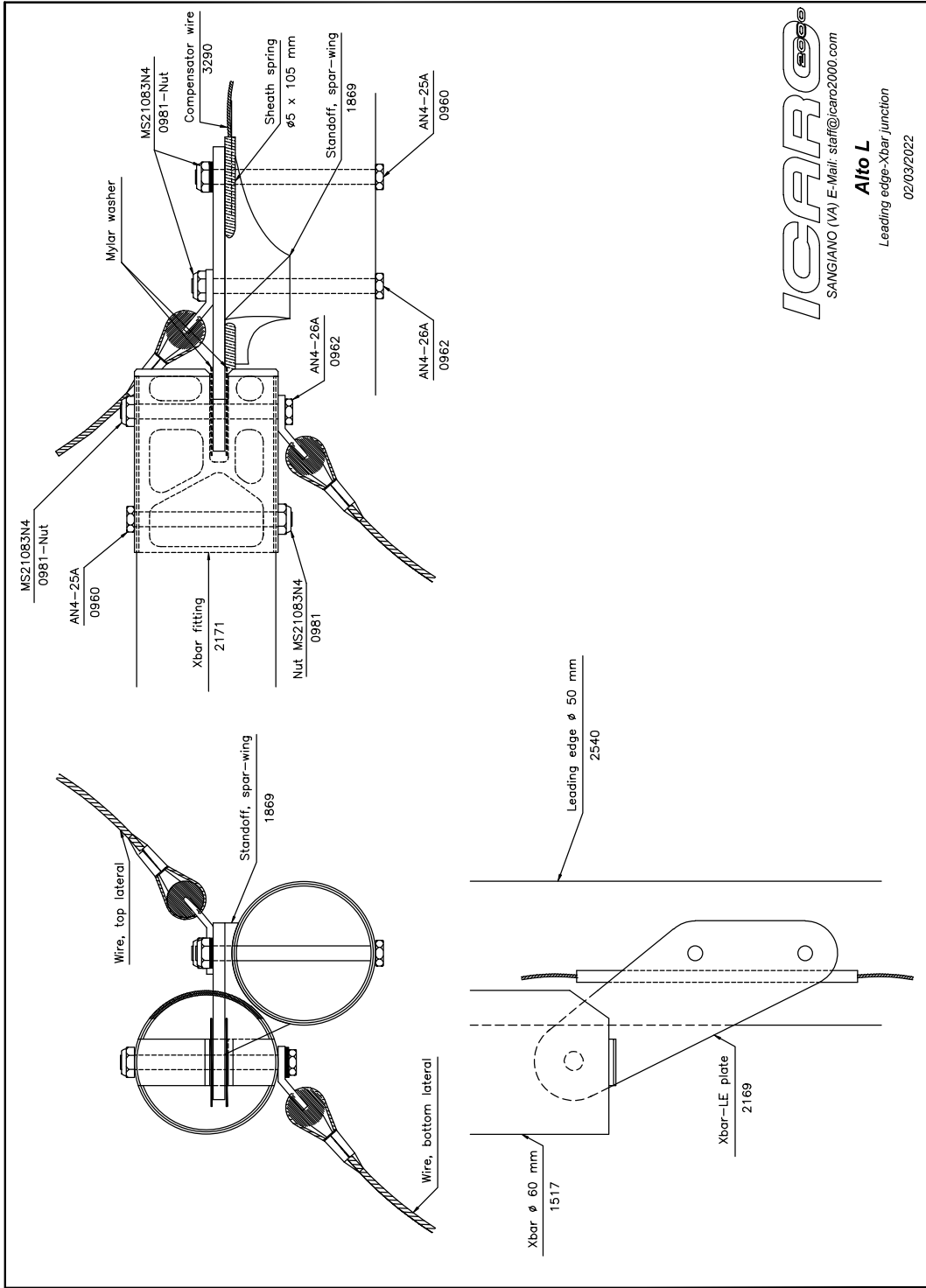
Xbar rope. Lark's knot on xbar belt
 Corda xbar. Nodo a strozzo su cinghia xbar

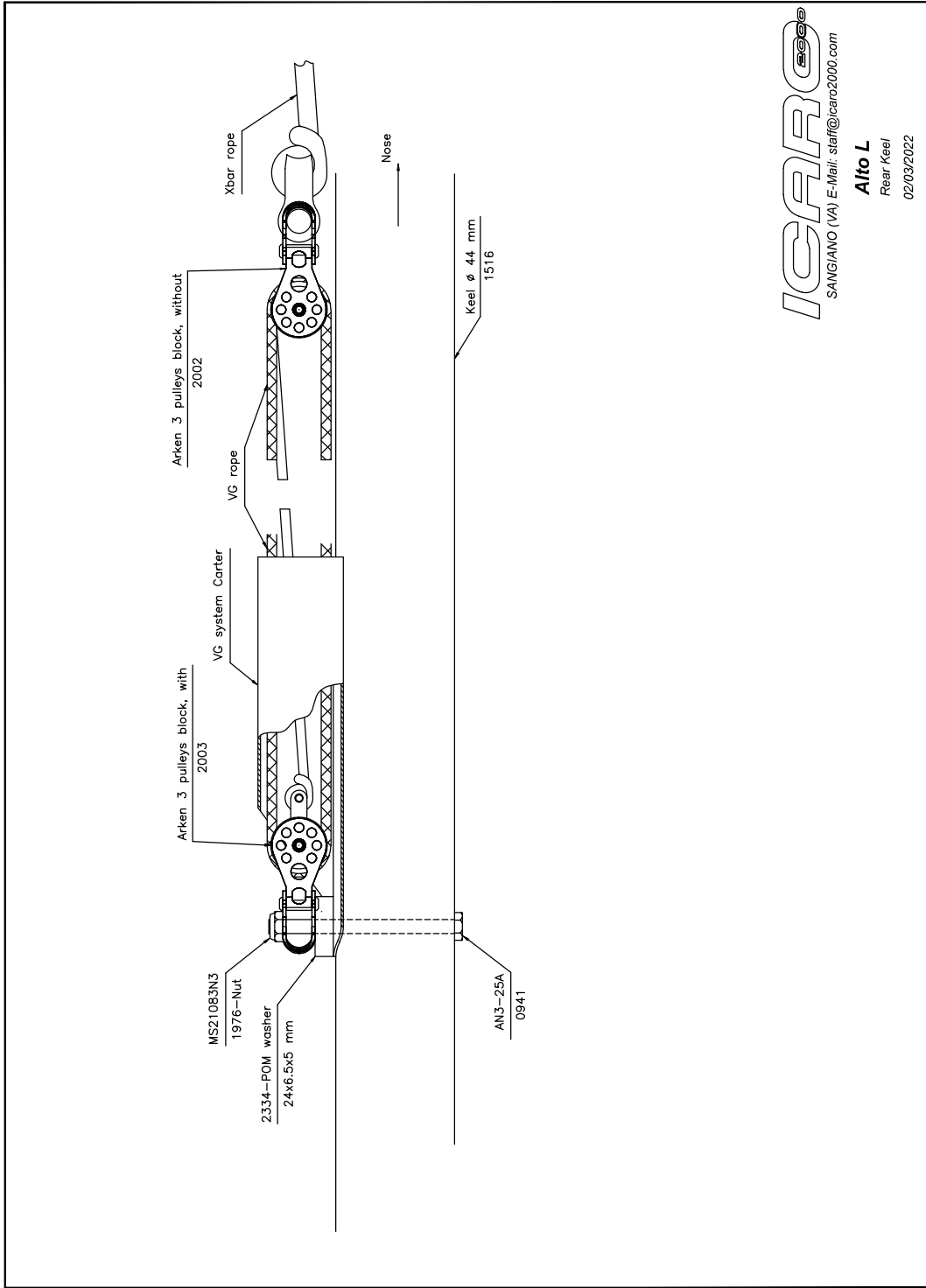
Sequenza parti, dal basso verso l'alto:

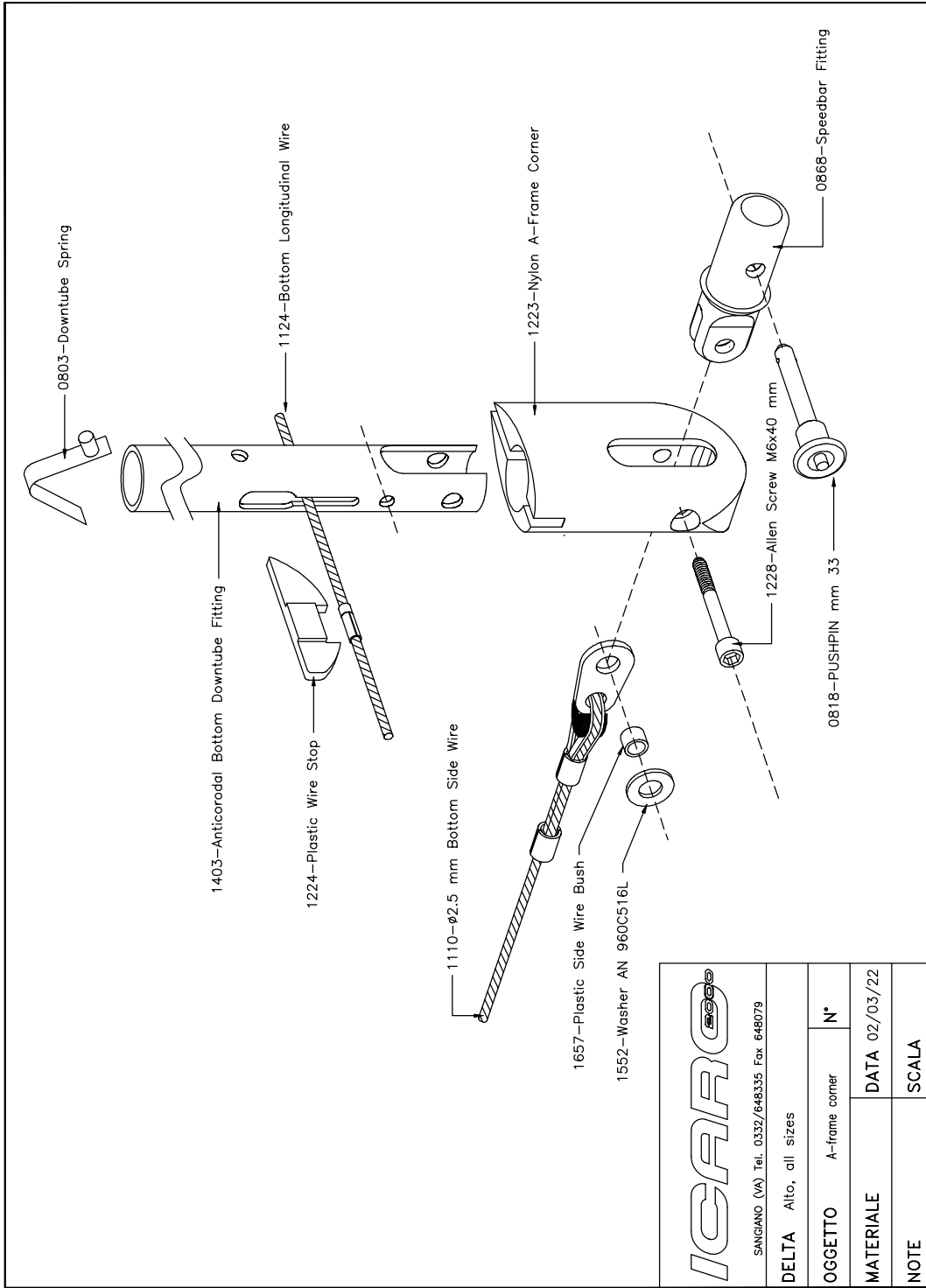
- Cordini centraggio xbar
- Cinghia xbar
- Cavo fermo xbar
- Bozzello
- Corda sicura
- Corde compensatore











ICARCO	
<small>SANGIANO (VA) Tel. 0332/648335 Fax 648079</small>	
<small>DELTA Alto, all sizes</small>	
OGGETTO	A-frame corner N°
MATERIALE	DATA 02/03/22
NOTE	SCALA